

PLANMECA

# Dental units



# Exceptional quality and ergonomic design

An introduction from our President



“It’s my pleasure to introduce you to our exceptional range of dental care units – combining the very best in ergonomics with outstanding patient comfort. I’m really proud of our product innovations, and for over 40 years we’ve worked closely with dental professionals to create pioneering dental units that set new standards in our field.

What makes us a bit different is that all core product development and manufacturing takes place in Finland – ensuring unmatched quality and attention to detail at every stage of the process. Our goal is to make your work safer and more pleasant, while providing your patients with the best possible treatment experience.

And we have a dedicated team of R&D professionals behind the scenes, all focused on making the highest quality products to suit your clinical needs. Therefore I’m thrilled to invite you to discover our advanced dental care units and find the perfect one for you.”

*Heikki Kyösti  
President and founder  
Planmeca Group*

- Design matters** ..... 4
  - Designed to last..... 6
- Optimal comfort** ..... 8
  - Your perfect companion.....10
  - Easy access, comfortable consultation ..... 12
  - Relaxed patient.....14
  - See more, work better.....16
  - World class scanning ergonomics ..... 18
- A safer treatment environment** ..... 20
  - Infection control is a top priority.....22
- Manage your clinic effectively** ..... 24
  - Unique linkage of dental unit and software ..... 26
- Choose your best companion** ..... 28
- Planmeca Sovereign® Classic**..... 30
  - Intelligent inside and out .....32
- Planmeca Compact™ i Touch**.....34
  - Perfectly compact.....36
  - The way you want it..... 38
  - Happy users .....40
- Planmeca Compact™ i Classic**..... 42
- Planmeca Chair™** ..... 44
- Stand out with colour** .....46
- Technical specifications** .....48



# Design matters

*Our strong commitment to R&D guides everything we do. We are passionate about design and always prioritise comfort, safety and ease of use over everything else – and we do so without compromise. Our industry-leading dental units are practical, functional and beautifully designed.*



# Designed to last



Solid, durable  
and recyclable  
aluminium

FENNIAPRIZE 14  
HONORARY MENTION



reddot design award  
winner 2009



design award china  
2007 TOP SELECTION

## Lightweight design

All Planmeca dental units have our distinctive clean and simple design, with space for you and your assistant to work freely and comfortably. Our units are highly compact because of the side-lifting mechanism of the cuspidor block.

## Glossy surfaces, excellent durability

We use aluminium parts and an epoxy paint finish in our dental units for ultimate durability. Their seamless, powder-coated surfaces meet the strictest infection control requirements.

## Perfect modularity

All of our units have been designed with the future in mind. That's why it's easy to upgrade our units with the latest features and innovations in dentistry.

## Award-winning design

Our aim is to create durable and beautifully designed products that stand the test of time – with unmatched attention to detail. Each product we build is of the highest quality, helping convey a professional image in your dental clinic and building patient trust.



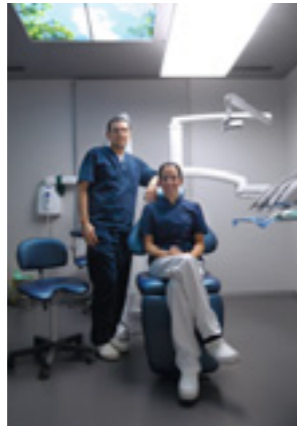


# Optimal comfort

*We work closely with dental professionals and introduce smart new ways to ensure maximum comfort and exceptional quality treatment. Our dental units allow you to work either two or four-handedly – making your work easier and more efficient.*

*“Working with Planmecca’s dental units is fun! They can be fully customised by the user, so each dentist at the clinic can have his own presets. Both units are incredibly comfortable and many of our patients have also pointed this out. And we have to admit that we have taken a nap on them more than once, too!”*

*Dr Carlo Pizzo and Dr Gioia Amico,  
A & P Clinic, Cittadella, Italy*





# Your perfect companion

## The multi-purpose Flexy™ holder

The modular Flexy™ holder for suction tubes and instruments supports all your treatment needs. You can also easily integrate your Planmeca PlanScan® intraoral scanner and tablet device for optimal chairside workflow.

## Comfortable working positions

The wide height adjustment range allows you to work comfortably in a standing position, while the very low chair position also makes it possible to treat patients who are semi-reclined.

## Personal settings easily available

Planmeca PlanID™ allows access to personal settings on any dental unit at a clinic with a simple flash of a card.

## Ease of use – just plug and play

The intuitive touch panel is straightforward and easy to use with customizable treatment center functions, treatment positions, instrument settings and presets.

## Smartly designed instrument console

Our effortless console positioning allows instruments to be placed at the optimal ergonomic position. The console can also be moved to the assistant side for a smooth and efficient workflow. Instruments with quick connectors are interchangeable by user.

## Foldable leg rest

The automatic leg rest makes it easy for patients to enter and exit the chair, ensuring a smooth workflow. It also provides excellent patient comfort and is practical for doctor-patient consultations and prosthodontic treatments.

## Unrestricted operator access

The narrow top of the backrest allows the dental team to get as close as possible to the treatment area.

## Extensive legroom

The side-lifting chair and small cuspidor base maximize legroom for both dentist and assistant – allowing the whole team to get as close as possible to the patient.

## Wireless foot control

All necessary functions can be carried out from the treatment center's foot control, keeping your hands free and minimizing cross-contamination. You can also use the foot control to operate your Planmeca PlanScan® intraoral scanner.

## Planmeca PlanScan®

Dental unit integrated intraoral scanner

# Easy access, comfortable consultation



*The foldable leg rest makes access easy for patients and provides a comfortable upright sitting position for consultation and post-treatment examinations.*

## Face-to-face consultation

Our dental units allow you to hold your initial discussion with the patient in a comfortable sitting position, while maintaining eye contact. This helps to create a relaxed atmosphere and build trust. Distractions, such as the instrument console, are kept outside of the patient's direct line of sights.

## Easy entry/exit

The foldable leg rest makes it easy to enter and exit the chair – especially important for the elderly and physically challenged patients. To further support patient entry and exit, the chair can be equipped with rotating armrests.





# Relaxed patient

*Our exceptional innovations make treatment sessions more comfortable and relaxing for your patients – making your work easier. With accurate positioning and support, our dental units help you focus on providing high-quality clinical treatment.*

Designed for  
comfort



## Ergonomically designed chair

The dental chair design follows the shape of the patient's body and provides firm and comfortable support. Our dental units can also be fitted with armrests to provide additional patient support.

## Unbeatable patient comfort

Planmeca's **Ultra Relax™** upholstery responds to patient weight and body heat for superior patient comfort. This is especially appreciated in longer treatment sessions. A comfortably positioned patient is more relaxed, allowing you to focus on the clinical treatment.





# See more, work better



Ultra-bright  
operating  
light

*The **Planmeca SingLED**® operating light's accurate positioning and ultra-bright illumination give you perfect visibility over the entire treatment area.*

#### Latest LED technology

Our advanced LED technology provides illumination that's ultra-bright, but also cool – and environmentally friendly. Its energy-efficient power consumption does not compromise the light intensity.

#### Flexible positioning

**Planmeca SingLED**® has three rotating axes in the light head which provides optimised illumination to the treatment area. Its flexible movement range means it can be adjusted from the upper to the lower jaw position easily. With hands-free light-intensity adjustment and autoclavable handles, infection control is impeccable.





# World class scanning ergonomics

*The seamless dental unit integration of the **Planmeca PlanScan**® intraoral scanner guarantees a smooth workflow at all times, as real-time scanning data is immediately available from your chairside tablet.*

## Dental unit integrated intraoral scanner

The ultra-fast and accurate **Planmeca PlanScan**® can be easily integrated into your digital Planmeca dental unit. Due to the new chairside integrated Full HD tablet device, you have constant and optimal access to live scanning data. This allows you to focus on clinical work in the treatment area without any distractions.

For an even smoother workflow, scanning can also be controlled from the dental unit's wireless foot control. In addition, the scanner provides practical sound guidance to ensure optimal data capture.

## Unique foot controlled scanning

What really sets Planmeca PlanScan apart from other scanners is that now you can also conveniently control its use from the dental unit's foot control, leaving your hands free for scanning and patient treatment at all times. You can use the foot control to easily toggle between prep, opposing and buccal views, so that you can focus on scanning without interruptions. Hands-free operation also guarantees impeccable infection control.

## Easy and flexible use

Planmeca PlanScan has been designed for an efficient workflow – it is used just like any other instrument and shared effortlessly between different users. The plug-and-play scanner can also be easily installed in different dental units and different rooms. The flexible licensing system allows simultaneous use on multiple workstations during different CAD/CAM workflow steps.

Dental unit integrated intraoral scanner



### Discover the unique benefits of integrated Planmeca PlanScan®:

- Smooth and effortless workflow lets you concentrate on your patient
- Constant access to real-time scanning data
- Hands-free operation with wireless foot control
- Plug-and-play scanner with sound guidance
- Can be upgraded to any Planmeca dental unit
- Can be shared between different operators
- Intelligent **Planmeca Romexis**® software licensing – different work phases (scan, design and manufacture) can be performed simultaneously by different users





# A safer treatment environment

*Infection control and clean water have always been essential elements in our product design and development. Years of close collaboration with leading dental universities in the field of microbiology have resulted in comprehensive and scientifically proven solutions for both external and internal dental unit infection control.*





# Infection control is a top priority



Effortless  
use



## External infection control made easy

The smooth, uniform surfaces of our dental units make cleaning easy, ensuring impeccable external infection control – a crucial element in safe dental treatment. The powder-coated epoxy surfaces are extremely durable and resistant to cleaning agents. All critical components can also be autoclaved, and the bowl can be detached for easy cleaning.

## Clean water – always

Our advanced water treatment solutions guarantee that all water entering the patient's mouth is clean, ensuring a safe environment for both patient and dental team. The highly automated systems ensure that the microbial biofilm is efficiently removed from the dental unit waterlines. You can select either periodical or continuous disinfection according to your preferences.

## Superior results for cleaner suction tubes

We have designed an innovative system for cleaning suction tubes and filters. The **Planmecca Suction Tube Cleaning System (STCS)** significantly simplifies and automates the disinfection process of dental units – ensuring a safe treatment environment and a cleaner suction system overall.

The efficiency of the Planmecca STCS has been established in an independent study\* conducted at the Dublin Dental University Hospital.

\* M.A. Boyle, et al., Overcoming the problem of residual microbial contamination in dental suction units left by conventional disinfection using novel single component suction handpieces in combination with automated flood disinfection, Journal of Dentistry (2015)



# Manage your clinic effectively



*We are the first to offer an innovative linkage between our digital dental units and software. The dental units can be easily networked via **Planmeca Romexis® Clinic Management** for automatic registration of user activities. A multitude of quality-assurance and remote maintenance related services are available for new and existing Planmeca dental unit users.*

# Unique linkage of dental unit and software

Perfect for clinics of all sizes – from private practices to multi-site clinics

**Planmeca Romexis® Clinic Management** provides real-time information and monitoring of unit usage and events. Our pioneering software module offers unique benefits and services for its different users.

Web-based reporting – view device status and usage dashboards from anywhere



Network

## Network benefits

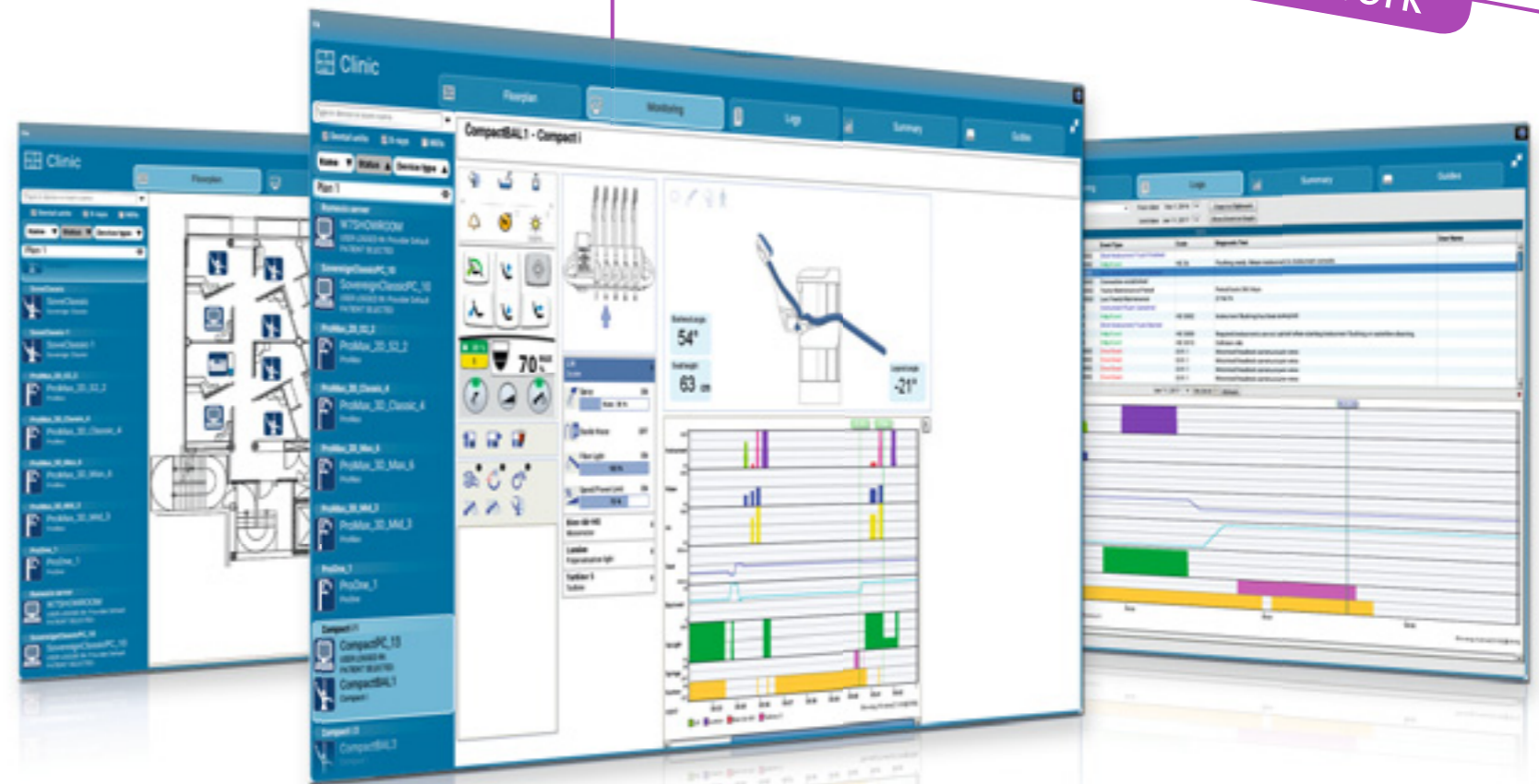
- Utilise a centralised database with all data easily and immediately available at all sites
- Monitor your clinic's status with all networked devices visible in one easy-to-read graphical overview
- Access accurate real-time information on all dental, X-ray, and milling unit operations
- Plan operations based on actual usage to improve overall efficiency and quality assurance
- Achieve significant time and cost-savings with remote software updates

## Usability benefits

- Maximise the effective use of resources with real-time information on equipment usage status and user locations
- Ensure effortless dental unit usage with quick access to personalised dental unit settings from any location
- Take advantage of integrated quick guides supporting device use

## Maintenance and infection control benefits

- Save time and labour costs by utilising automated flushing and cleaning cycles at set times
- Ensure patient and staff safety with built-in reporting – including infection control quality assurance and audit trails
- Conveniently monitor device usage remotely and provide real-time user assistance to minimise any possible downtime
- Benefit from easy and fast troubleshooting – information on real-time usage and device history is always available
- Plan and optimise preventive maintenance according to actual usage





# Choose your best companion

We are proud to present Planmeca's world-leading range of dental units. **Planmeca Sovereign® Classic** is our newest dental unit, packed with intelligent design details. **Planmeca Compact™ i Touch** has more than 50,000 satisfied customers around the world, from private practices to universities and hospitals, while **Planmeca Compact™ i Classic** is an ideal choice for general dentistry with its standard features. Our independent **Planmeca Chair™** is the perfect partner to combine with a mobile cart.



Planmeca Chair™



Planmeca Compact™ i Classic



Planmeca Compact™ i Touch



Planmeca Sovereign® Classic



Choose your best companion

# Planmeca Sovereign® Classic

It's radically different

*Our exquisite **Planmeca Sovereign® Classic** dental unit is the perfect outcome of clever design details that facilitate your work throughout the day. From patient treatment to easy infection control, this unit is intelligent inside and out.*





# Intelligent inside and out

## Clever design details

The **Planmeca Sovereign® Classic** has been designed with ergonomics, comfort, and usability in mind. The compact and slim cuspidor makes the unit the perfect choice for any treatment room. The user-centered design offers unparalleled ease of use for both you and your assistant. The tilting seat keeps the patient optimally positioned during whole treatment session.

## Perfect ease of use

Plug your preferred instruments on the 6-position instrument console and use the unit easily through the multilingual touch screen from day one. Position your unit the way you want with the manual left/right swivel function of the cuspidor and chair. The handy **Cobra™** suction arm and modular **Flexy™** holder for suction tubes and instruments support all your treatment needs.

## Intelligent infection control

Planmeca Sovereign Classic offers the most advanced infection control systems. Periodical cleaning or continuous disinfection – the choice is yours. Everything you need for your infection control routines is perfectly organized into logical compartments.





Choose your best companion

# Planmeca Compact™ i Touch

*We are very proud to present the **Planmeca Compact™ i Touch**. Extremely compact in size, it's packed with features and functionalities. With more than 50,000 satisfied users around the world, it's ideal for the varied needs of modern dental professionals.*





# Perfectly compact

*Planmeca Compact™ i design solutions support an ergonomic and smooth workflow. Extremely simple and intuitive, it makes your everyday work easy, pleasant and efficient – without compromise.*



### Extensive legroom

The side-lifting chair and small cuspidor base maximise legroom for both dentist and assistant, with space left free for stools. The narrow backrest design also helps to ensure excellent access to the oral cavity. The dental team can work as close as possible to the patient.

### Practical upright sitting position

The automatic leg rest makes it easy for patients to enter and exit the chair, ensuring a smooth workflow. It also provides excellent patient comfort and is practical for doctor-patient consultations and prosthodontics treatments.



**New!**  
Planmeca PlanID™  
Personal settings by flashing  
a contactless card

### Compact in size, perfectly balanced

The small instrument console can be placed near the patient within easy reach. The perfectly balanced instrument arms guarantee ergonomic instrument use – only a tiny movement is needed to activate the instruments. The adjustable instrument arms are a clever design detail, easily customised based on instrument weight.



# The way you want it

There are as many working preferences as there are healthcare professionals. **Planmeca Compact™ i Touch** offers several delivery systems and a wide instrument range for you to choose from to meet your specific needs and requirements.

- 1 Over-the-patient delivery with balanced instrument arms
- 2 Over-the-patient delivery with hanging tube instruments
- 3 Side delivery with hanging tube instruments
- 4 Cart with hanging tube instruments
- 5 Independent cart with hanging tube instruments





# Happy users

## Swedish dental clinic chose comfort, design and reliability

"When our practice moved to a new location in 2012, we decided to purchase a **Planmeca Compact™ i Touch** dental unit for each of the five treatment rooms in our new clinic. Before making the final decision, we talked to an independent maintenance person who recommended Planmeca's units. I had also known the guys at Plandent Forssbergs Dental AB, Planmeca's subsidiary in Sweden, for years, so that was very important to me. It is only natural to purchase a unit from someone you know and trust."

### Better working ergonomics and ease of use

"The new Planmeca units have brought a considerable improvement to our working environment. There are five of us working at the clinic: two hygienists, two nurses, and myself. We all enjoy the flexibility and lightness of Planmeca Compact i.

Working ergonomics are perfect – the design is very slim so I don't need to work with my elbows up in my face. The chair is also very comfortable for the patients. After all, it is the patient who pays, so this is important. Also the fact that the chair is mounted on the unit is, in my opinion, the best feature – everything is in one unit.

All in all I am very pleased with Planmeca Compact i, as it is smarter than me! Buying a dental unit is like buying a computer – no one ever reads the manual. So usability is important.

The touch screen with its clear symbols is so easy to use that even a child could do it."

### Smart design

"Design was very important for us, and Planmeca Compact i is truly a beautiful, high-tech unit. It was also easy to match it with the rest of our clinic's design. All of our rooms have different coloured

units and are named after different cities, such as Barcelona, Beijing, London, and naturally the colors were chosen accordingly.

A feature that is unique to Planmeca's dental units is that you can fold down the leg rest. That way, you can stand easily in front of the patient when taking an X-ray, for example."

*Dr Claes Karlsson, DDS, Eskilstuna, Sweden*



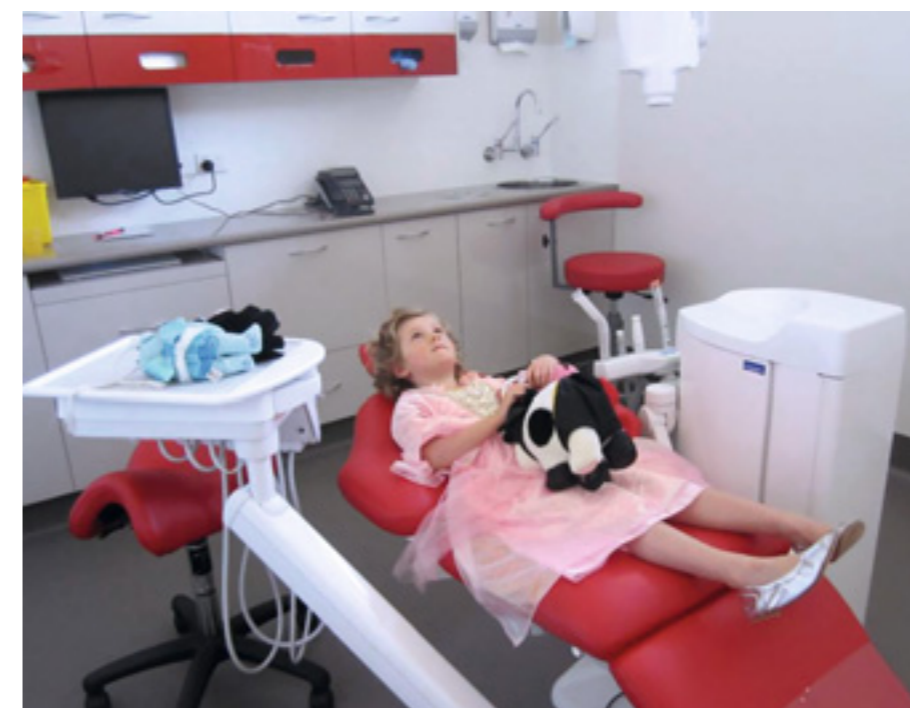
## Small patients love Planmeca Compact™ i

"As a wife of a physiotherapist and as someone who is very aware of her body, I love working with **Planmeca Compact™ i**. It has got some great attributes for everyday practice, but especially for children and special care patients. The option to enter the chair in a knee-break position instead of the more traditional position enables flexibility. The option of a very low entry position is great for my smaller patients – it is important for reducing lifting as well as child independence issues. With a knee-break chair I can also do standing wheel-chair transfers without having to lean awkwardly over the chair or around an armrest."

### Easy positioning and ideal ergonomics

"Small children can be easily positioned with or without the booster as the chair design allows great operator and assistant positioning. The child head positioning is the best that I have experienced for comfort and angulation.

The chair can be adjusted to lie flat, which is ideal for management of an unconscious patient if that was to ever happen. The chair is easily programmable. Speed, water and air variability is great and the foot control simple to adapt to."



### Child friendly design details

"Ceiling mounted operating light and X-ray unit means that there is one thing less to reach or climb. With mobiles and puppets, that fit perfectly on light handles and handpieces not in use, the equipment does not seem daunting even to my most apprehensive patients.

Features I love about the Planmeca Compact i:

- Ease of use and positioning.
- The chair can be adjusted low enough for most 5-year olds and a stool can be used for those even smaller."

*Dr Helen Cornwell, Paediatric Dentist, Newcastle, Australia*



Choose your best companion

# Planmeca Compact™ i Classic

*Planmeca Compact™ i Classic is the ideal choice for the needs of general dentistry – a cost-effective dental unit with all the essential functionalities.*

## Quick and easy operations

Planmeca Compact™ i Classic can be equipped with either balanced instrument arms, or hanging tube instruments. Its standard set-up features all necessary instruments.

All instrument adjustments can be performed conveniently from the dental unit keyboard. As is the case with other Planmeca dental units, Planmeca Compact i Classic is equipped with a multifunctional foot control for chair, unit and instrument control.

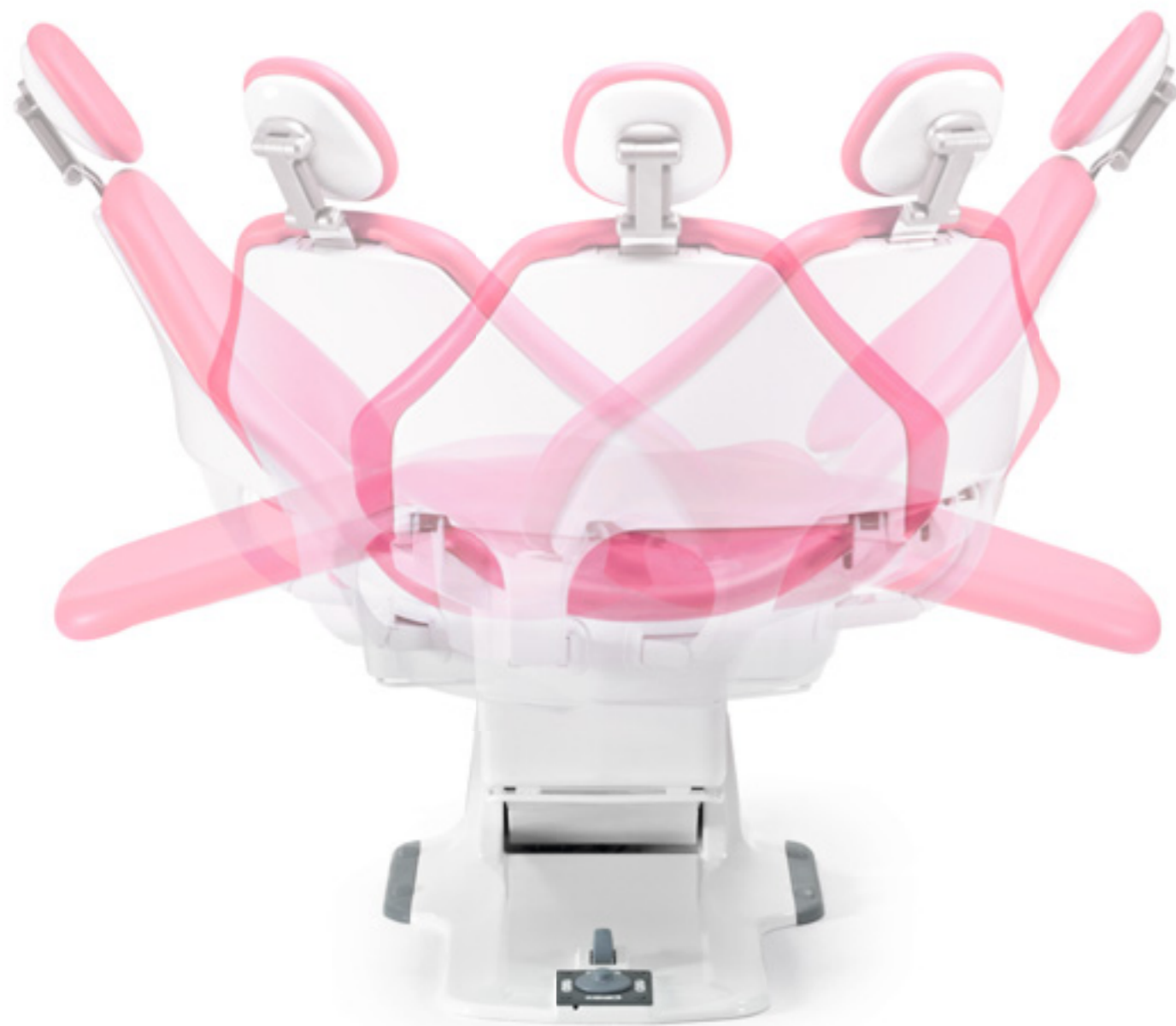




Choose your best companion

# Planmeca Chair™

The versatile, optimally designed features of the independent **Planmeca Chair™** provide great working ergonomics. It is well-suited for surgical treatments and can also be equipped with the **Planmeca Compact™ i** mobile cart.



## Easy swiveling provides flexibility

The 180-degree swivel function allows the chair to be swiveled 90 degrees left and right. This is a valuable feature when using an intraoral X-ray unit or other auxiliary equipment. The swivel function provides a unique freedom for clinic design and is especially appreciated when space is limited.

## Large and solid tray

There is a large and solid cast aluminium tray above the patient for orthodontic and surgical treatments. The tray is easy to move with outstanding load bearing capacity.

## Practical design details

The double articulated headrest allows comfortable positioning of the patient's head and provides good access to the treatment area. Thanks to the smooth and lightweight headrest length adjustment, the chair can be easily adapted for patients of all sizes.



# Stand out with colour

Complement the splendid design of your dental unit by giving it a personal touch with your favourite colours. Select the perfect one from our inspiring collection and create the look of your dreams!

## High-quality upholsteries for enduring comfort

The **Comfy™** upholstery is made of durable artificial leather. The thin shape ensures excellent reach to the treatment area and the seamless design allows easy upkeep and enhanced infection control.

Made of extremely durable artificial leather and viscoelastic memory foam, the **Ultra Relax™** upholstery adapts perfectly to patient's body shape, allowing them to stay relaxed even during the longest treatment sessions.

## Beautiful and bright colours

Both Comfy and Ultra Relax upholsteries come in a wide range of stylish colours.



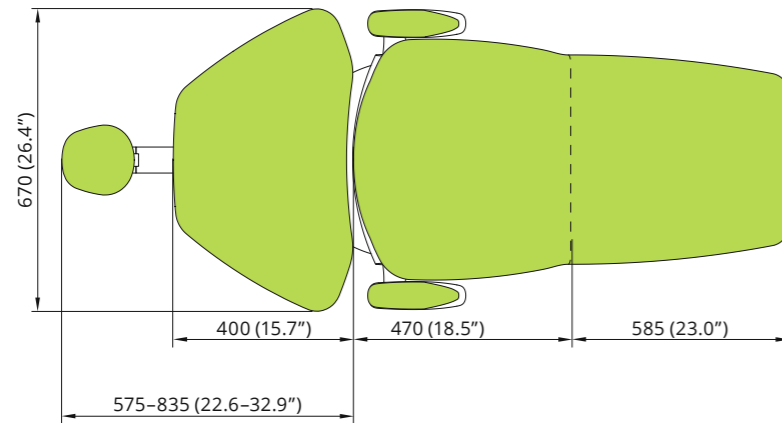
<b>Fuchsia</b> 6583 • Ultra Relax 710 • Comfy	<b>Cassis</b> 9314 • Ultra Relax	<b>Purple</b> 9333 • Ultra Relax 706 • Comfy	<b>Red</b> 1176 • Ultra Relax 702 • Comfy
<b>Metallic Silver</b> 5002 • Ultra Relax	<b>Sun</b> 5250 • Ultra Relax	<b>Lime</b> 4482 • Ultra Relax 602 • Comfy	<b>Petrol</b> 2520 • Ultra Relax 701 • Comfy
<b>Sky</b> 2665 • Ultra Relax 707 • Comfy	<b>Azure</b> 2674 • Ultra Relax 708 • Comfy	<b>Deep Sea Blue</b> 604 • Comfy	<b>Metallic Blue</b> 4020 • Ultra Relax
<b>Steel Blue</b> 401 • Comfy	<b>Baltic</b> 2551 • Ultra Relax	<b>Dark Blue</b> 504 • Comfy	<b>Diplomat Blue</b> 2478 • Ultra Relax
<b>Metallic Gold</b> 3174 • Ultra Relax	<b>Hazel</b> 704 • Comfy	<b>Taupe</b> 3779 • Ultra Relax	<b>Walnut</b> 3777 • Ultra Relax
<b>Coffee</b> 705 • Comfy	<b>Graphite</b> 5806 • Ultra Relax 703 • Comfy	<b>Black</b> 5607 • Ultra Relax 305 • Comfy	



# Technical specifications

Delivery system	Over-the-patient delivery with balanced instrument arms Over-the-patient delivery with hanging tube instruments
Power requirements	100–240 VAC
Mains frequency	50/60 Hz
Water inlet pressure	180–900 kPa (26–130 psi)
Air inlet pressure	550–900 kPa (80–130 psi)
Weight	200 kg (440 lbs)
Mounting	To be fixed on the floor
Frame	Cast aluminium alloy
Colour	White (RAL 9016)

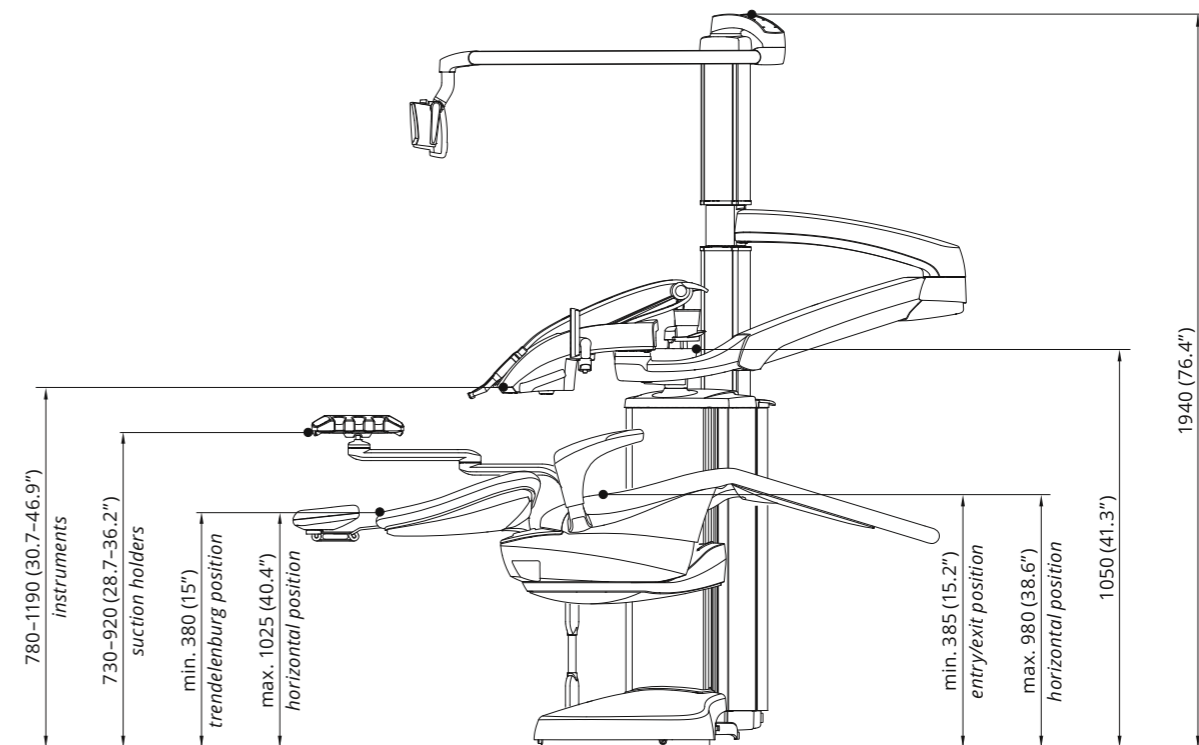
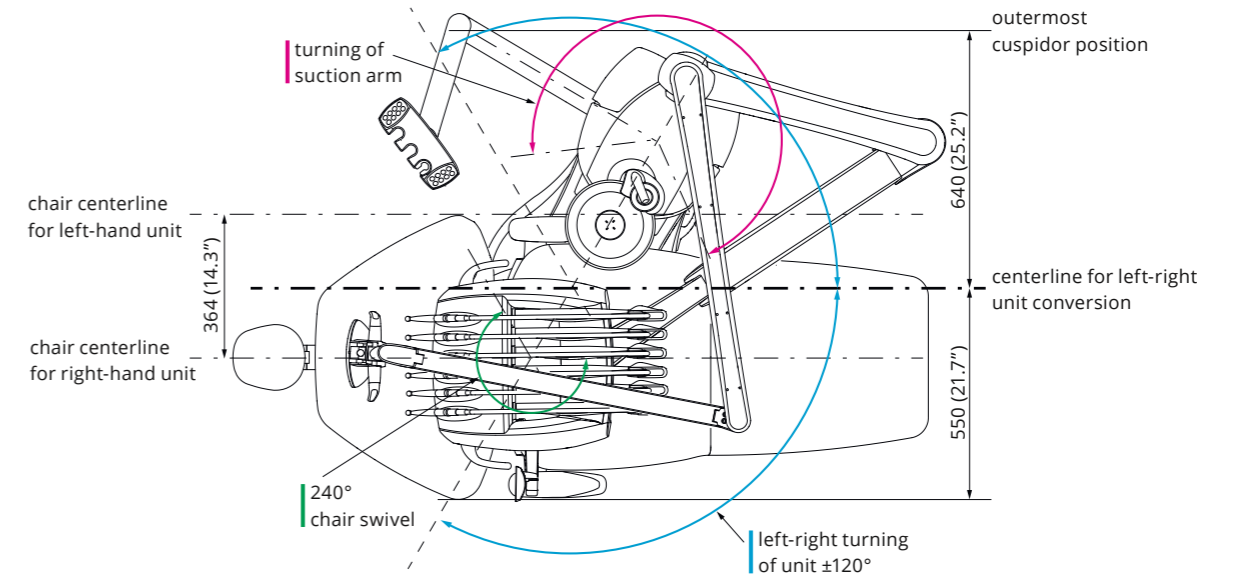
## Adaptive legrest 585 mm



## Automatic legrest 510 mm



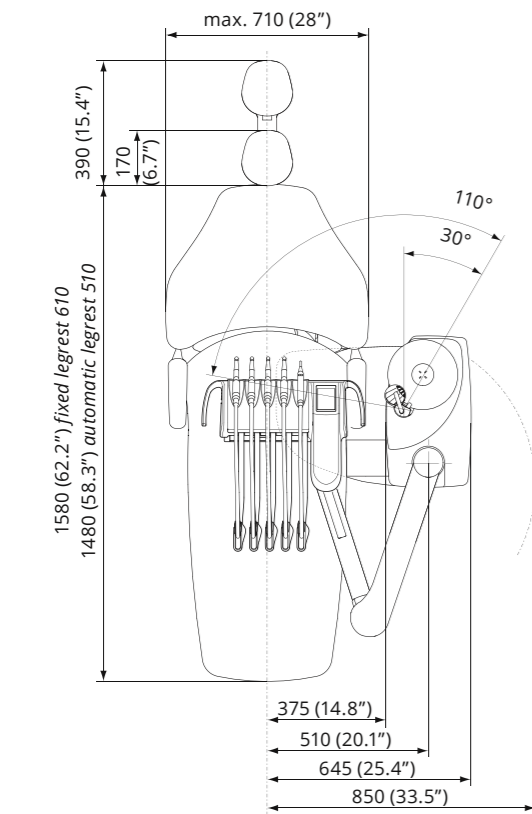
## Over-the-patient delivery with balanced instrument arms



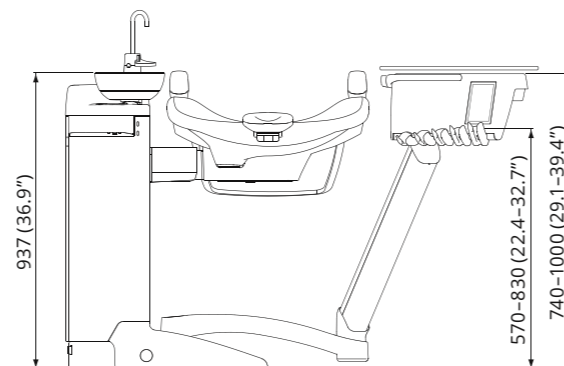
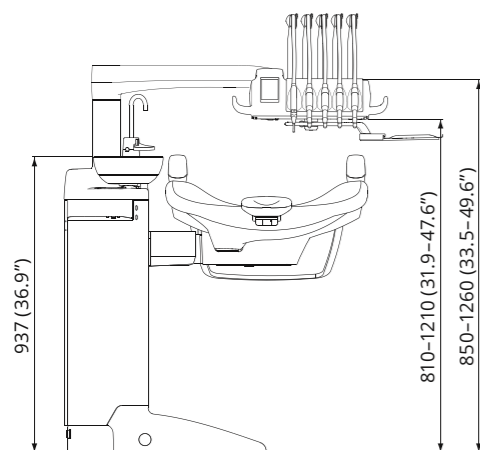
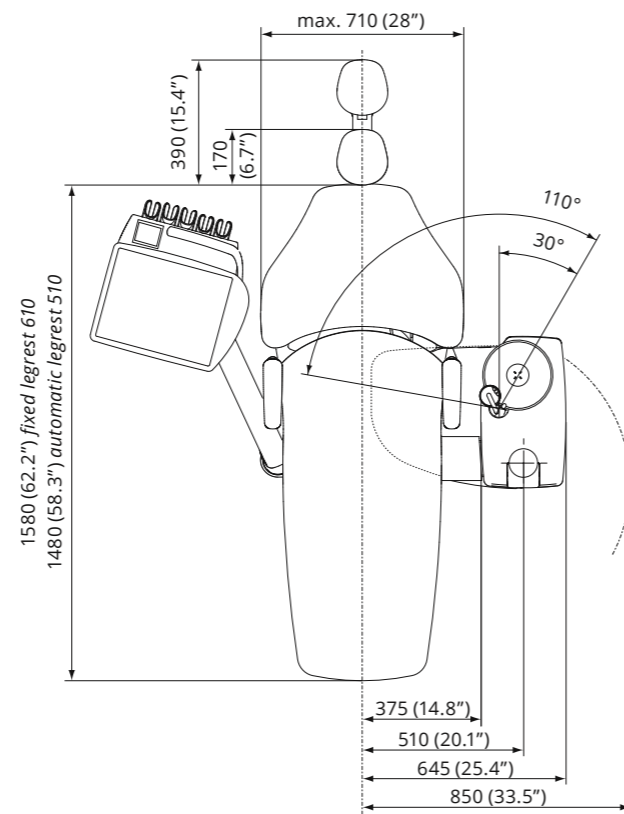
# Technical specifications

Delivery system	Over-the-patient delivery with balanced instrument arms Over-the-patient delivery with hanging tube instruments Side delivery with hanging tube instruments Mobile cart delivery with hanging tube instruments
Power requirements	100 VAC, 115 VAC, 220-240 VAC
Mains frequency	50/60 Hz
Water inlet pressure	300-900 kPa (43-130 psi)
Air inlet pressure	550-900 kPa (80-130 psi)
Weight	130 kg (290 lbs)
Mounting	To be fixed on the floor
Frame	Cast aluminium alloy
Colour	White (RAL 9016)

## Over-the-patient delivery with balanced instrument arms

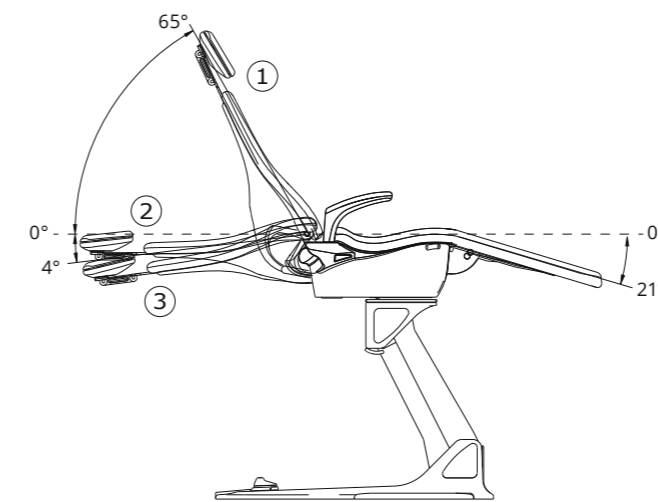
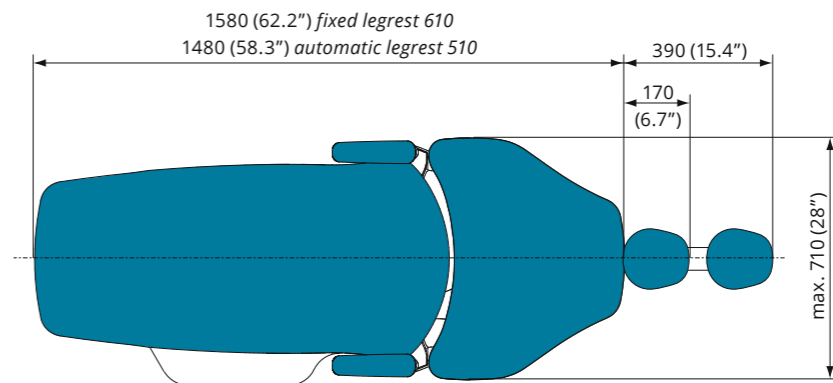
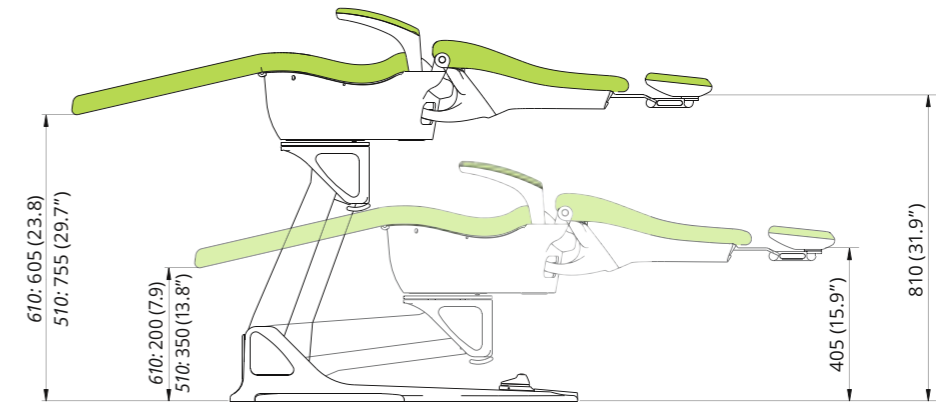


## Side delivery with hanging tube instruments

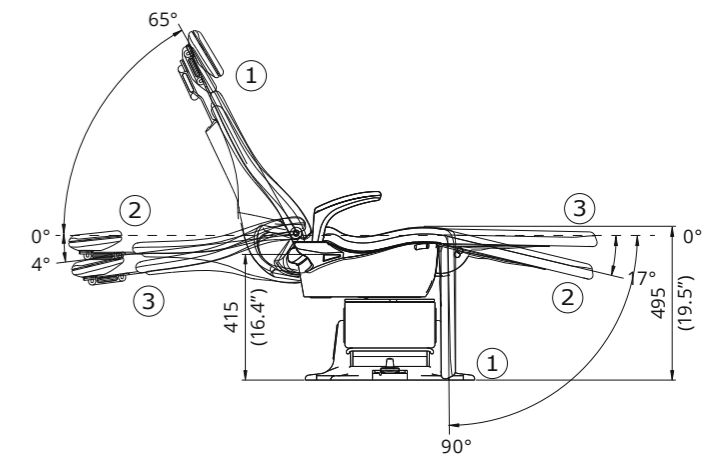


# Technical specifications

Power requirements	100 VAC, 115 VAC, 220-240 VAC
Mains frequency	50/60 Hz
Swivel	±90°, total 180°
Weight	120 kg (265 lbs)
Mounting	To be fixed to the floor Mobile version as an option
Frame	Cast aluminium alloy
Colour	White (RAL 9016)



The fixed legrest has optimum knee angulation.



The optional automatic legrest can be used when the chair is swivelled 90° to the right or left.



One software for all.



*Planmeca Oy designs and manufactures a full line of industry-leading dental equipment, including 3D and 2D imaging devices, CAD/CAM solutions, dental care units and software. Planmeca Oy, the parent company of the Finnish Planmeca Group, is strongly committed to better care through innovation, and it is the largest privately held company in the field.*

# PLANMECA

Asentajankatu 6 | 00880 Helsinki | Finland | tel. +358 20 7795 500 | fax +358 20 7795 555 | sales@planmeca.com | www.planmeca.com

Images may contain optional items not included in standard delivery. Available configurations and features may have country or area specific variations. Some products displayed above may not be available in all countries or areas. Rights for changes reserved.

Planmeca, All in one, Anatomat Plus, Cobra, Comfy, DentreVac, Digital perfection, Economat Plus, Elegant, Flexy, Mini-dent, Perio Fresh, PlanEasyMill, Planmeca 4D, Planmeca AINO, Planmeca ARA, Planmeca CAD/CAM, Planmeca CALM, Planmeca Chair, Planmeca Clarify, Planmeca Compact, Planmeca Creo, Planmeca Emerald, Planmeca FIT, Planmeca Intra, Planmeca iRomexis, Planmeca Lumion, Planmeca Lumo, Planmeca Maximity, Planmeca Minea, Planmeca Minendo, Planmeca Minetto, Planmeca mRomexis, Planmeca Noma, Planmeca Olo, Planmeca Online, Planmeca PlanCAD, Planmeca PlanCAM, Planmeca PlanClear, Planmeca PlanID, Planmeca PlanMill, Planmeca Planosil, Planmeca PlanPure, Planmeca PlanScan, Planmeca PlanView, Planmeca ProCeph, Planmeca ProFace, Planmeca ProID, Planmeca ProMax, Planmeca ProModel, Planmeca ProOne, Planmeca ProScanner, Planmeca ProSensor, Planmeca ProX, Planmeca Romexis, Planmeca Serenus, Planmeca SingLED, Planmeca SmartGUI, Planmeca Solea, Planmeca Sovereign, Planmeca Ultra Low Dose, Planmeca Vision, Planmeca Viso, Planmeca Verity, Planmeca Waterline Cleaning System, Planmeca Xtremity, Proline Dental Stool, ProTouch, Saddle Stool, SmartPan, SmartTouch, Trendy, and Ultra Relax are registered or non-registered trademarks of Planmeca in various countries.

10032811/0517/en

