

CS 8100SC 3D

 **Carestream**
DENTAL



TAKE YOUR PRACTICE TO THE NEXT LEVEL

DISCOVER THE NEW MULTI-FUNCTIONAL, 4-IN-1 IMAGING SOLUTION



STEP INTO DIGITAL DENTISTRY

As Carestream Dental's most successful 3D unit, the CS 8100 3D is now available with an optional cephalometric imaging module. A multi-functional, 4-in-1 imaging solution, the new CS 8100SC 3D blends award-winning 2D panoramic technology, powerful CBCT imaging and 3D model scanning with the world's fastest cephalometric scanning capabilities. In turn, you gain access to the tools you need to build your practice through a single imaging system that covers virtually all of your everyday imaging needs.



MULTI-FUNCTIONAL SYSTEM

In addition to diagnostic imaging, the CS 8100SC 3D allows you to obtain precise digital 3D models for optional applications, including orthodontics, implant planning or CAD/CAM restorations.



ULTRA-COMPACT DESIGN

Slim and elegant, the CS 8100SC 3D fits practically anywhere. At just 1.8 m wide, the unit is one of the smallest cephalometric units and features an open design that is built for comfort.

CS 8100SC 3D ONE SYSTEM. THREE TECHNOLOGIES. MORE POSSIBILITIES.

Whether you practice general dentistry, orthodontics or manage a multi-specialty practice, the CS 8100SC 3D is amazingly versatile and gives you the ability to perform more procedures in your own practice. From two-dimensional panoramic and cephalometric exams to 3D imaging, the system covers an array of routine examinations, as well as advanced procedures.



**AWARD-WINNING
2D TECHNOLOGY**

The CS 8100SC 3D delivers outstanding panoramic and cephalometric images for routine diagnostic needs.

**WORLD'S FASTEST
CEPHALOMETRIC SCANNING**

Scan images in as little as 3 seconds and reduce the risk of motion blur, all while reducing exposure time.*

SELECTABLE FIELDS OF VIEW

Select from three cephalometric fields of view and four 3D fields of view to obtain the ideal image for each individual exam, at the lowest dose.

LOW-DOSE IMAGING

Use the low-dose mode to obtain high-quality 3D images at the same or lower dose as a standard panoramic exam.

**EXCLUSIVE AUTOMATIC
TRACING**

*Go from ceph images to full tracing in just 90 seconds with our exclusive automatic tracing software.***

**INTUITIVE & POWERFUL
SOFTWARE**

Our easy-to-use software solutions provide powerful features for a variety of applications, including implants, orthodontics, oral surgery and endodontics.

“With the CS 8100SC 3D, I can clearly see and diagnose delayed eruptions, ectopic and impacted teeth including third-molar, and asymmetrical issues.”

*DR. KLAUS-DIETER GERKHARDT,
ORTHODONTIST, WORMS, GERMANY*



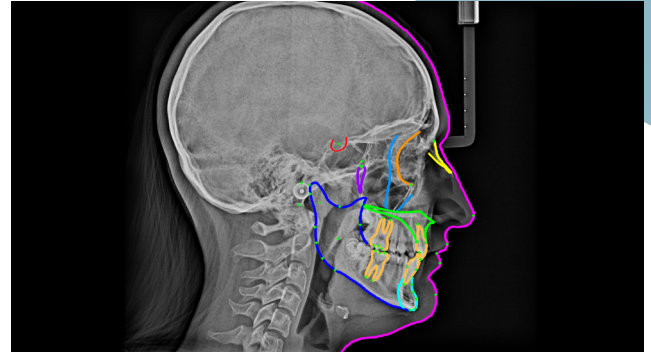
*18 x 24 cm lateral image, Fast Scan mode
**18 x 24 lateral image

"The future of orthodontics is in-house, and the CS 8100SC 3D is a vital component of the in-house orthodontics workflow!"
DR. KLAUS-DIETER GERKHARDT,
ORTHODONTIST,
WORMS, GERMANY

PAN/CEPH

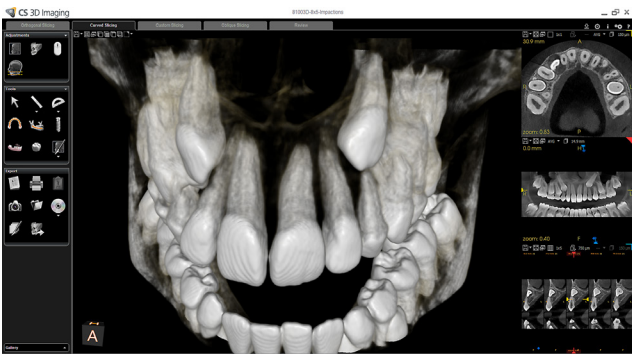


A complete range of panoramic programs, including a pediatric program, segmented bitewing, TMJ and maxillary sinus views, to cover all of your routine needs.



Five different cephalometric views and three fields of view are ideal for any cephalometric examination, while the exclusive automatic tracing feature saves you and your team valuable time.

CBCT

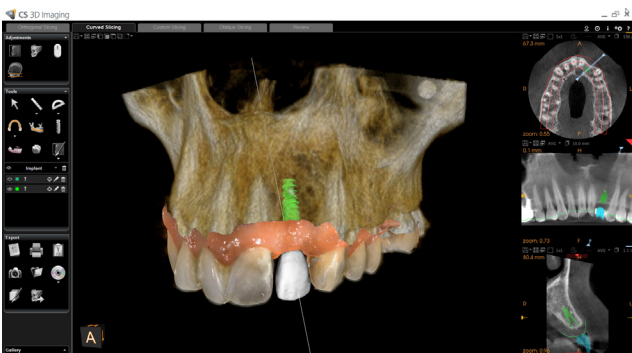


Whether it is for orthodontics, implants, oral surgery or endodontics, 3D imaging gives you what you need for a faster and more accurate diagnosis.

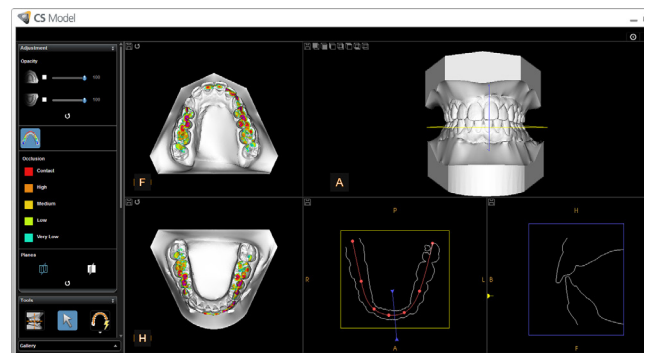


Easily capture third-molar images using the dedicated bite block for third-molar examinations.

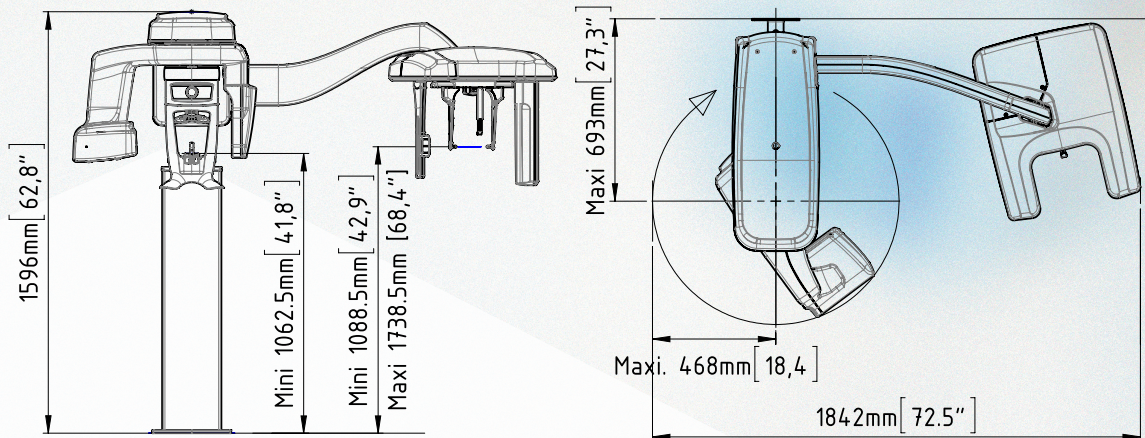
3D Applications



Use the optional Prosthetic-Driven Implant Planning module to combine surface scans, CBCT scans, virtual crowns and implants for more accurate implant planning and a more effective workflow.



Create digital models in minutes with the optional CS Model, an easy-to-use planning software for orthodontic applications.



Tube voltage	60 - 90 kV
Tube current	2 - 15 mA
Frequency	140 kHz
Sensor technology	CMOS
Minimum required space	Without ceph arm: 1200 (L) x 1400 (D) x 2400 (H) mm With ceph arm: 2000 (L) x 1400 (D) x 2400 (H) mm
Panoramic Modality	
Magnification	1.2
Radiological exam options	Full panoramic, segmented panoramic (including bitewing segmented panoramic), maxillary sinus, LA TMJ x 2, LA TMJ x 4
Exposure time	2 to 14 seconds
3D Modality	
Volume Field Of View diameter x height (cm)	4 x 4 / 5 x 5 / 8 x 5 / 8 x 8 / 8 x 9*
Voxel size (µm)	75 µm minimum
Exposure time	3 to 15 sec
Cephalometric Modality	
Magnification	1.13
Radiological exams	Lateral, frontal AP or PA, oblique, submento-vertex, carpus (optional)
Exposure time	2.9 to 11 seconds

*8 x 5, 8 x 8 and 8 x 9 not available on CS 8100SC 3D Access.
8 x 9 not available in Canada

For more information, visit us at carestreamdental.com