



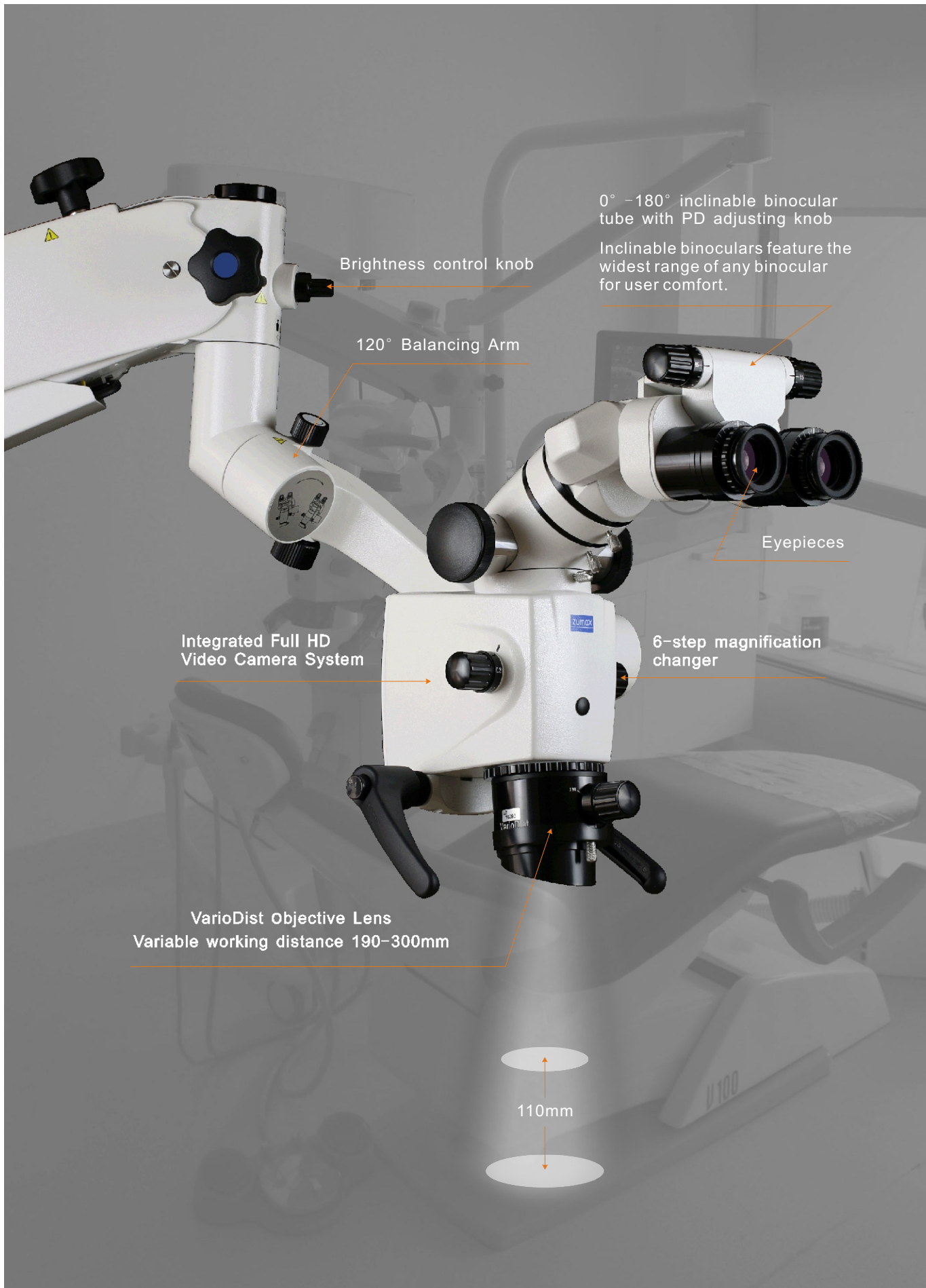
OMS2350 Dental Microscope

New

Micro3D Integrated
Micro2D Full HD Video System
Flash Adapter for DLSR Camera
Mobile Phone Camera Adapter

We Create Value
For Our Customers
With Our Service

zumax



0° -180° inclinable binocular tube with PD adjusting knob

Inclinable binoculars feature the widest range of any binocular for user comfort.

Brightness control knob

120° Balancing Arm

Eyeieces

Integrated Full HD Video Camera System

6-step magnification changer

VarioDist Objective Lens
Variable working distance 190-300mm

110mm

Micro3D Integrated



The Micro3D is the World's First Dental Microscope with integrated 3D Full HD Camera.

- Teaching or presenting in 3D helps teachers teach, Students learn.
The sharing of Micro3D visual information enhances the learning experience and takes dental education to the next level
- Seeing is Believing.
Patients understand clearly, communicate faster and better with 3D videos.
- Combined with beam splitter for digital camera or camcorder.
- Exporting real 3D streaming while dentist are operating microscope as usual.

Micro2D Full HD Video System



Micro2D Full HD system

- Resolution Full HD 1080/60P output
- Video record in USB Disk
- Image freeze/record in USB Disk
- Control by wireless footpedal
- Wifi to Mobile phone, iPad.
- Adapter to DSLR camera or camcorder



Mobile Phone Camera Adapter

Mobile phone Camera Adapter

- Use Mobile phone to Share your video and picture under the microscope at once in facebook and whatsapp on the internet.
- Share and discuss cases on the internet online
- Adapter to iPhone, Sumsung ,most of Android mobile phone.



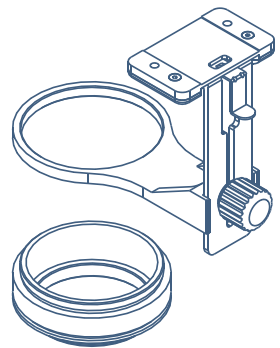


Flash Adapter for DLSR Camera

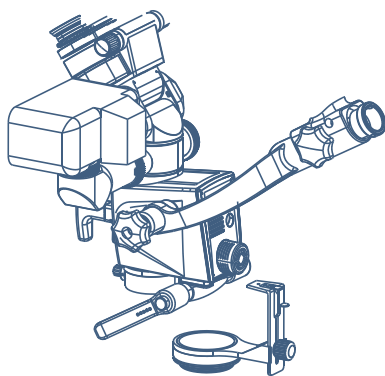
First Choice for DSD Features

- Enhance pictures under microscope in flash unit.
- Quickly change coupler.
- Quickly removed or installed adapter.
- Quickly change twin flash or ring flash unit.

(1)



(2)



(3)



Canon MT-24EX

Nissin MF-18

Nikon R1C1

EXCELLENT OPTICAL QUALITY

German lenses, multi coatings

Lens made of imported glass from Germany Schott® to reduce the optical aderration. All lenses are multi-coated and anti-reflective.



VarioDist Lens

Working distance range: 190mm~300mm



Widefield eyepieces

The widefield eyepieces are screwed into the tube and have integrated eyecups with stepless adjustment. The eyepieces are perfectly suited for surgeons who wish to work with their eyeglasses on.



6-step Magnification Changer

The magnification changer knobs on both sides of the microscope head allow to quickly and conveniently select the optimum magnification, from an overview of an entire arch to high magnification for precise and close inspection.



example with F=250mm lens and 12.5x eyepiece:

Magnification changer	0.3x	0.5x	0.8x	1.2x	2.0x	3.0x
Magnification	2.8x	4.2x	6.9x	10.4x	17.0x	25.6x
Diameter of Field-of-view (mm)	78	52	32	21	13	9

LED ILLUMINATION **New**

*More strong
more natural
more healthy*

LEDs present many advantages over Halogen or Xenon light sources including lower energy consumption, longer lifetime, improved robustness and greater durability and reliability. In addition LEDs operate at a safe, low voltage, instead of the 25K volts commonly found in xenon lighting, but also have a light temperature characteristic of natural daylight.



Halogen light



LED light

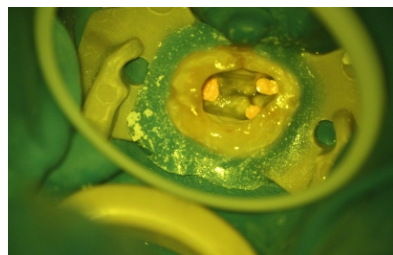
Integrated Yellow and Green Filter

Yellow filter: Prevents premature curing of composite.

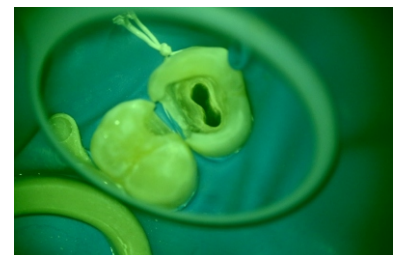
Green filter: Improves detail visibility by enhancing the contrast of tissue with a strong blood supply.



Without filter



Yellow filter



Green filter

SIMPLE COMFORTABLE OPERABILITY

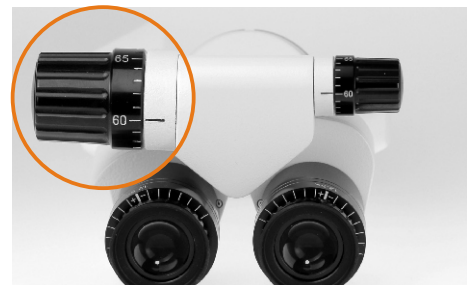
0° –180° inclinable binocular tube

Inclinable binoculars feature the widest range of any binocular for user comfort.



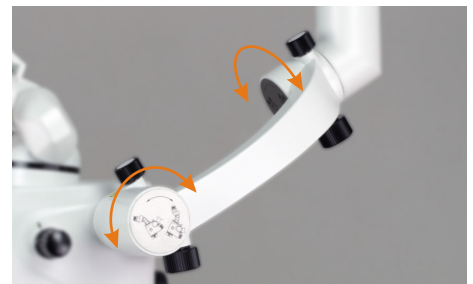
PD Adjusting Device

Pupil distance accurate numerical has been marked on the knob, the dentist can conveniently and quickly adjust to their PDs.



Balancing Arm

This Balancing Arm assures a ultra-smooth, fluid and perfect balance during repositioning of the microscope, even when an external camera has been attached.



Pendulum Function

This function allows to remain in an upright viewing position, by changing the direction of the optic pod without changing the direction of the binocular head.



Vertical position



25° right inclination



25° left inclination

BUILT-IN FULL HD IMAGING DEVICE

Integrated Full HD camera

Zumax bring you outstanding HD resolution and superior color performance at the right price. With outstanding performance, the camera delivers native 1080p/60p resolution from HDMI output with increased resolution up to 900 TV lines.



Integrated Standard Video camera

Output: PAL Number of effective
pixsls: 752 (H) · 582 (V) approx. 440K pixels
NTSC Number of effective
pixsls: 768 (H) · 494 (V) approx. 380K pixels



WirelessHM Full HD Video transmission

Provides a high-quality, uncompressed wireless link which supports data rates of up to 3 Gbit/s (allowing 1920x1080 @60Hz). Range is beyond 50 feet (15m), and latency is less than one millisecond.



External Photo and Video Solutions



Adapter for CANON/SONY/NIKON SLR camera



Adapter for SONY NEX series camera



Adapter for CANON/SONY digital camcorder

MORE OPTIONAL ACCESSORIES



WirelessST Shutter foot control for SLR Camera

This wireless shutter remote control by footswitch for SLR cameras allows shutter release without touching the camera. Therefore, problems of infection control and vibration during photography are eliminated.



Laser Filter

This filter can be used for the following laser wavelengths:
 Diode Laser: 780-830nm;
 Nd-YAG: 1064nm;
 Er-YAG: 2940nm



Dual Iris Diaphragm

Dual iris diaphragm is used to increase the depth of field.



Beam Splitter
(20% : 80% or 50% : 50%)



Extender & Beam Splitter
(20% : 80% or 50% : 50%)



Binocular Rotation Ring



Camera Adapter



Camcorder Adapter



Flash adapter



VarioDist Lens



Binocular Extender

DOCUMENTATION



ZUM Station

Apple iMac	2.7GHz quad-core Intel Core i5 processor 1TB hard drive 8GB DDR3 memory NVIDIA GeForce GT 640M graphics processor
Display Spec	21.5-inch LED-backlit display with IPS technology; 1920-by-1080 resolution with support for millions of colors
Operating system	Mac OS X Lion
Software Version	V1.0
Software function	Display/Record/Edit Full HD 1080P Format of the video
Video compatibility	1080p (60Hz/50Hz/30Hz/25Hz) 1080i (60Hz/50Hz/30Hz/25Hz) 720p
Output	DVI, HDMI, HD SDI

RECOMMEND KITS

A. Entry-level Kit

- OMS2350 Basic configuration



B. Mid-level Kit with camera

OMS2350 Basic configuration with following upgrading or accessories

- 0° -180° inclinable binocular tube with PD adjusting knob
- Balancing Arm
- 30° binocular extender and beam splitter
- Adapter for digital camera or Camcorder
- Wireless Foot Control Kit

RECOMMEND KITS

C. Professional level Kit

OMS2350 Basic configuration with following upgrading or accessories

- 0° -180° inclinable binocular tube with PD adjusting knob
- Balancing Arm
- VarioDist Objective Lens
- Integrated Full HD video camera
- 30° binocular extender and beam splitter
- Rotation Ring
- Adapter for digital camera or camcorder
- Inner power supply for digital camera or camcorder



D. Micro3D Kit

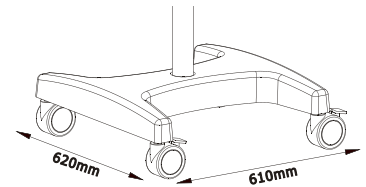
OMS2350 Basic configuration with following upgrading or accessories

- 0° -180° inclinable binocular tube with PD adjusting knob
- Balancing Arm
- Integrated Micro3D Full HD Camera
- VarioDist Objective Lens

TECHNICAL DATA

Basic configuration

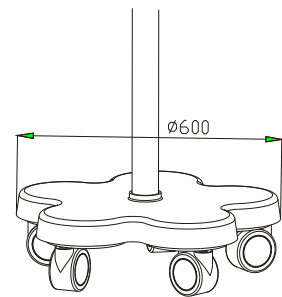
Magnification system	6-step manual magnification changer y=0.33x, 0.5x, 0.8x, 1.22x, 2x, 3x
Tubes	0° -180° inclinable binocular tube, f=170mm
Eyepieces	12.5x wide-field eyepieces; also suitable for eyeglass wearers
Focus	F=250mm with fine focus fine focusing range 12mm
Illumination System	Integrated LED illumination >70,000Lx Field of view diameter: 50mm with f=250mm objective lens Yellow and green integrated filter
Handgrip	Rotatable Handgrip and T- Handgrip
Mount mobility	120° coupler
Construction	Floor Stand with "H" shaped base



"H" shaped base

Optional configuration

Tubes	0° -180° inclinable binocular tube with PD adjusting knob, f=170mm
Eyepieces	10x/16x/20x wide-field eyepieces; also suitable for eyeglass wearers
Focus	F=200mm with fine focus F=300mm, f=350mm, f=400mm without fine focus VarioDist Objective Lens, Variable working distance 190-300mm
Mount mobility	Balancing Arm
Integrated Video System	Full HD1080p Standard Video Camera WirelessHM full HD Video transmission
External Video Solutions	Adapter for CANON/SONY/NIKON SLR camera Adapter for SONY α6000/α7 series camera Adapter for CANON/SONY Digital Camcorders 30° binocular extender and beam Splitter 20%:80% or 50%:50% WirelessST Shutter foot control for SLR Camera
Optics	Double Iris Diaphragm Laser Filter
Construction	Floor Stand with "Star" shaped base Ceiling Mount, Wall Mount, Fixed Ground Mount or Tabletop Clip



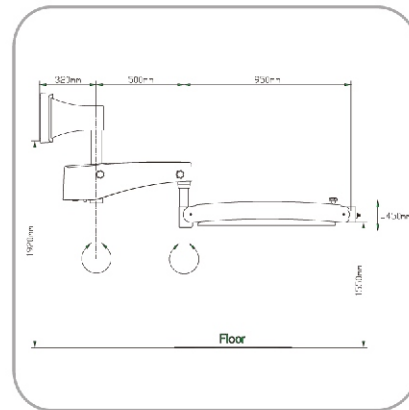
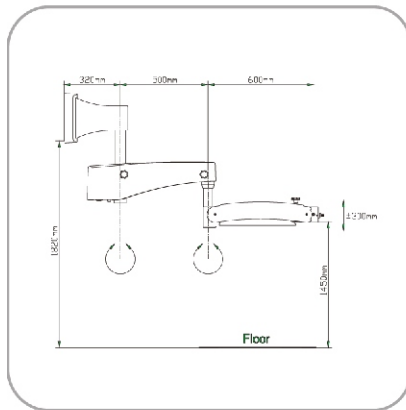
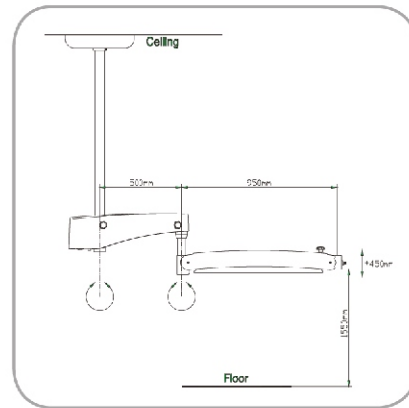
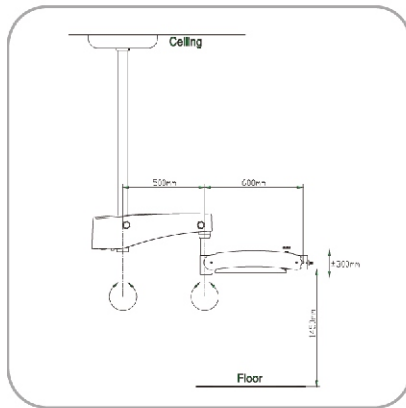
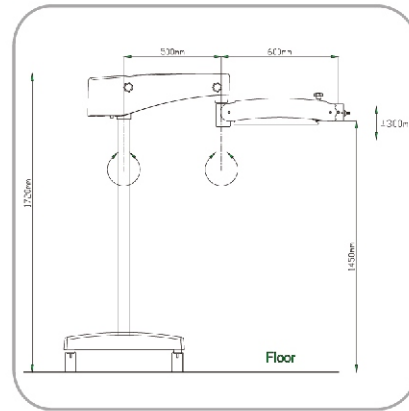
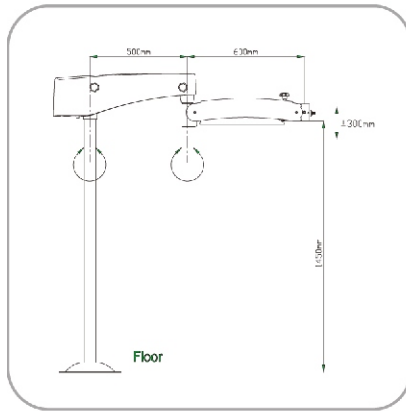
"Star" shaped base

Micro3D configuration

Resolution	Full HD 1920x1080p pixels for each eye
Aspect Ratio	16:9
Output Video Format	3D HDMI
3D Format	Side-by-Side
Build-in Beam Splitter	For digital Camera or Camcorder

Suggestion 3D Monitor configuration

Resolution	>1920x1080p
3D Format	Side-by-Side
3D Polarization	Passive



www.zumaxmedical.com

For more information, please contact:

ZUMAX MEDICAL CO. LTD.

5 Zhiying Street, Suzhou New district,

Suzhou, Jiangsu 215129, P.R.China

Tel. +86(512)6665 0502

Fax. +86(512)6665 0836

www.zumaxmedical.com

Email: sales@zumaxmedical.com