



Expand Your Possibilities





Why Choose A-dec

We've been partnering with doctors for more than 50 years to produce reliable, creative dental solutions. Here are just a few of the reasons why so many dental professionals continue to choose A-dec.

Quality and reliability. We have a reputation for creating the most durable and reliable dental equipment. This is due largely to our dedication to quality and focus on simple design, which results in robust equipment that requires minimal maintenance.

Ergonomics and efficiency. A-dec offers a wide choice of equipment. No matter how you and your team work, we have solutions that maximise ergonomics and increase efficiency.

Functionality and expandability. A-dec equipment seamlessly integrates many ancillary devices you control via touchpad and/or foot control. This saves time and reduces clutter. The sophisticated platform design supports future upgrades and expansion.

Comfort and style. Through the science of pressure mapping, A-dec engineers increased chair comfort by reducing pressure points and streamlining support across the entire body.



Dependable Solutions Designed for You

Whether you're looking to upgrade your delivery system or remodel your entire practice, there's an A-dec solution designed to meet your current needs, with the ability to easily upgrade as your practice grows.

Comfort-engineered chairs. Delivery systems with true integration. Lightweight handpieces and motors. Cabinetry that streamlines workflow. Discover proven solutions that expand your possibilities.



A-dec 500 is an elegant display of innovation for dentists who prefer style, expect ergonomic efficiencies, and seek a solution that optimises comfort for everyone inside the treatment room.



The robust design of the A-dec 300 system provides fewer parts to maintain, replace and clean. And yet there's no compromise in comfort or lack of options to accommodate how you work.

Materials Management

A materials management system works in harmony with the A-dec 12 o'clock treatment console. The optional upper storage area for prepared tubs, used tubs and instrument trays or cassettes allows the nurse to transfer materials from the treatment console to the circular work surface ready for use.

Your instrument delivery should allow you to operate comfortably and efficiently while increasing the productivity of the entire dental team. Experts who study dental ergonomics have proven how persistent pain in the lower back, neck, shoulders, wrists and hands is due to the equipment's inability to accommodate nurses working in a four-handed practice.

Overcoming repetitive strain is precisely why A-dec designed and created the 545 and the 541 delivery systems. A-dec solutions support and position the nurse at the heart of the treatment room. These cabinet-mounted delivery systems, being height-adjustable and rotational, position the instruments within reach. The nurse can pass the instruments to the dentist thereby increasing the speed of procedures and eliminating debilitating bending and twisting.



Think Differently

Why not consider materials management from a different angle? The procedure tub provides a simple solution for storing consumable materials and transporting items from the sterilisation area to the treatment room and back again.

Materials needed during a planned procedure are loaded directly in a central storage area and delivered from the tub to the user, keeping your procedure tray free for instrumentation. At the end of the day, materials are replenished and the tub is stored for future use.

The colour coding system allows one tub for each procedure. Using a variety of components, you can customise the tub to your preferences.





Add efficient functionality by minimizing touch points and streamlining workflow from treatment room to sterilisation centre and back to the treatment room.



Create an environment that gets the most from your space. Through thoughtful design, your staff can collect and replace materials without disturbing procedures.

Protective Design Features

Shown is A-dec Preference ICC[®], a system designed with foot/knee activated doors, waterproof shelves, optional hands-free dryer, and motion-activated soap dispensers to maintain a sterile environment, and streamline processes, procedures and storage.

This system is designed to work in conjunction with procedure tubs for materials management and an efficient tray or cassette system, as well as cabinetry that supports them.



The nurse is cleaning and lubricating used (contaminated) handpieces.



Push-to-open drawers enable easy access. Here, the nurse is placing a cassette into a soaking drawer.



The conveniently placed dryer eliminates unnecessary touch points.

Sterilisation Solutions

An integral part of running an efficient and productive dental practice is your infection control system. The four-phase system uses designated areas, from reception of used instruments to sterilisation and storage—a process designed to reduce the risks of cross-contamination.

Four-phase system includes:

1. Receiving and cleaning
2. Rinsing, preparation and packaging
3. Sterilisation
4. Storage



Contained under the single countertop, the nurse is able to wrap the cassette for sterilisation.



With a well-designed system, movement of items requires very little reaching or twisting. Here, the cassette is placed into the steriliser.



Once the instruments are sterilised, they are placed in a securely sealed cabinet system.



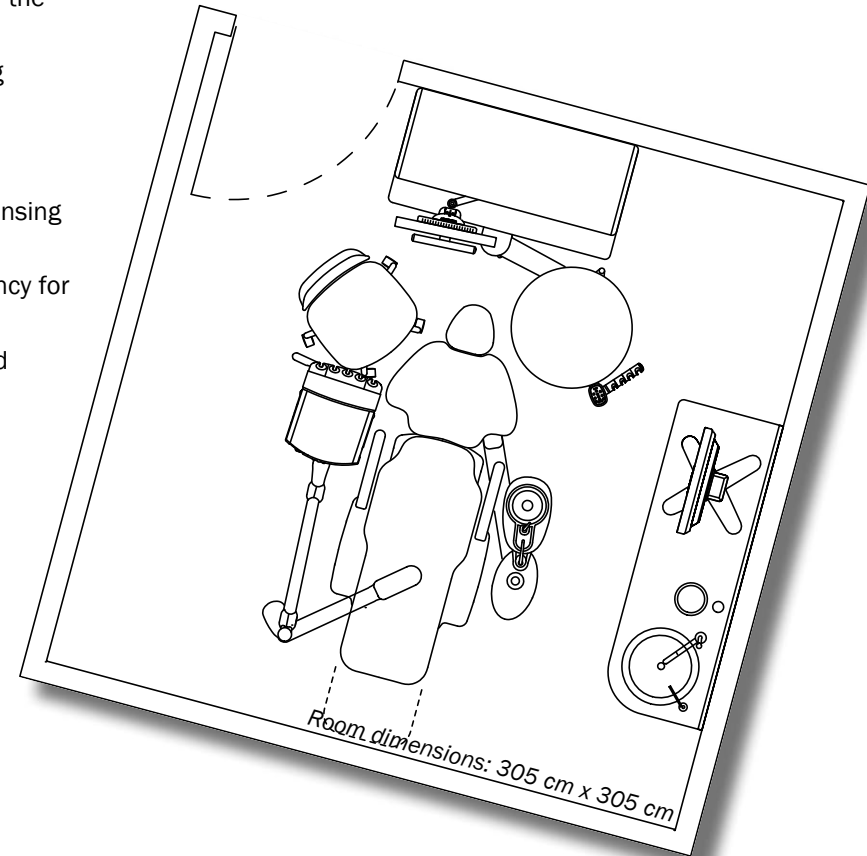
Solution One

Featured Equipment

- A-dec 511 Chair
- A-dec 532 Traditional Delivery System
- A-dec 545 Nurse's Unit
- A-dec 561 Cuspidor and Support Center
- A-dec Doctor's Stool with Ergonomic Tilt
- Preference Collection 5580.42 Treatment Console with Solid Surface Countertop
- Preference Collection 5531.58 Accessory Console

Configuration Benefits

- Increased productivity with the rear treatment console, which allows an efficient flow of materials and instruments into and out of the treatment room
- Extensive range of motion and positioning with A-dec 545 nurse's unit allowing full ambidextrous use
- Maximum storage for minimally spaced treatment rooms, allows for ease of dispensing materials and instruments
- Treatment console provides space efficiency for almost any room size
- Would suit wall-, chair- or ceiling-mounted operating light





Solution Two

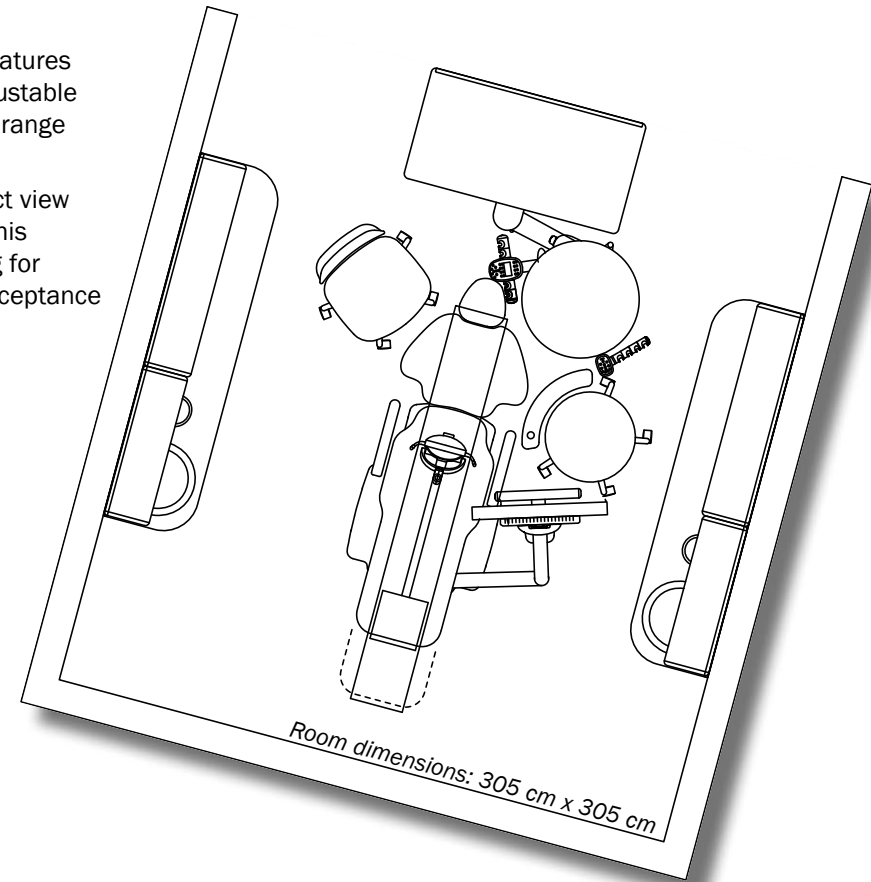
Featured Equipment

- A-dec 511 Chair with Sewn Upholstery
- A-dec 541 12 O'Clock Duo Delivery System
- A-dec 6300 Track-Mount Dental Light
- A-dec 531 Monitor Mount
- A-dec 561 Cupidor and Support Center
- A-dec Doctor's Stool with Ergonomic Tilt
- A-dec Assistant's Stool
- Preference Collection 5580.42 Treatment Console (Base Only)
- Preference Collection 5531.72 (2) Accessory Consoles
- Preference Collection 5731.34 (2) Upper Storage Units
- Preference Collection 5730.29 (2) Dispensing Units



Configuration Benefits

- Get extensive range of motion and unsurpassed positioning with the A-dec 500 12 o'clock delivery system
- The A-dec 500 12 o'clock nurse's unit features four pivot points and a round, height-adjustable worksurface that adds up to exceptional range of motion
- With equipment out of the patients' direct view and the monitor mounted on the chair, this configuration provides an optimal setting for patient education and treatment plan acceptance





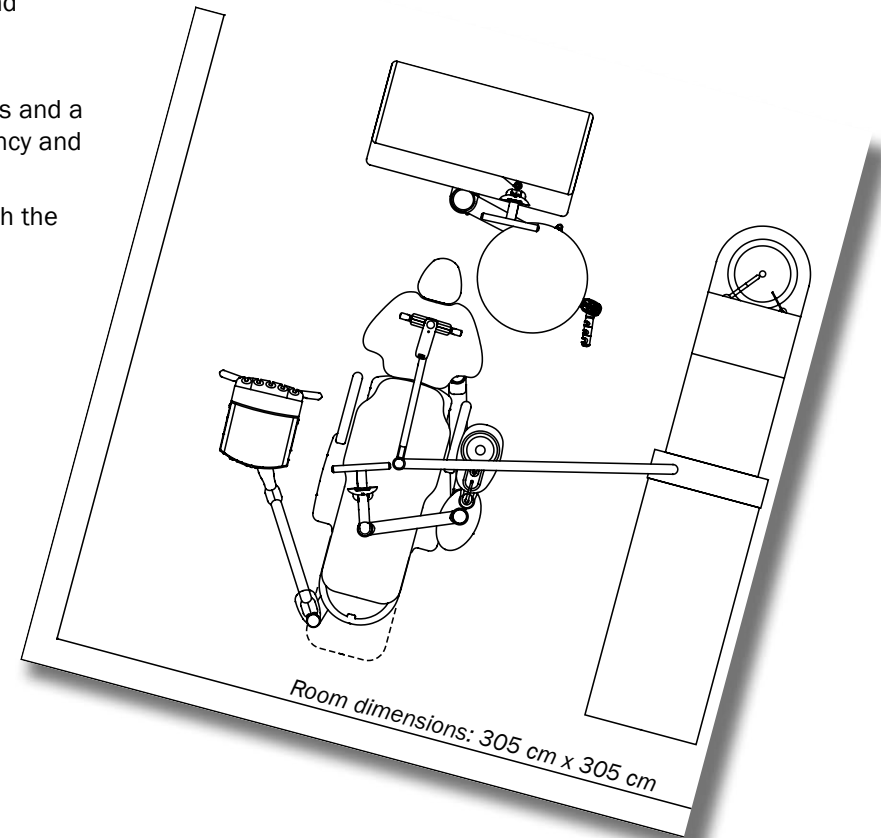
Solution Three

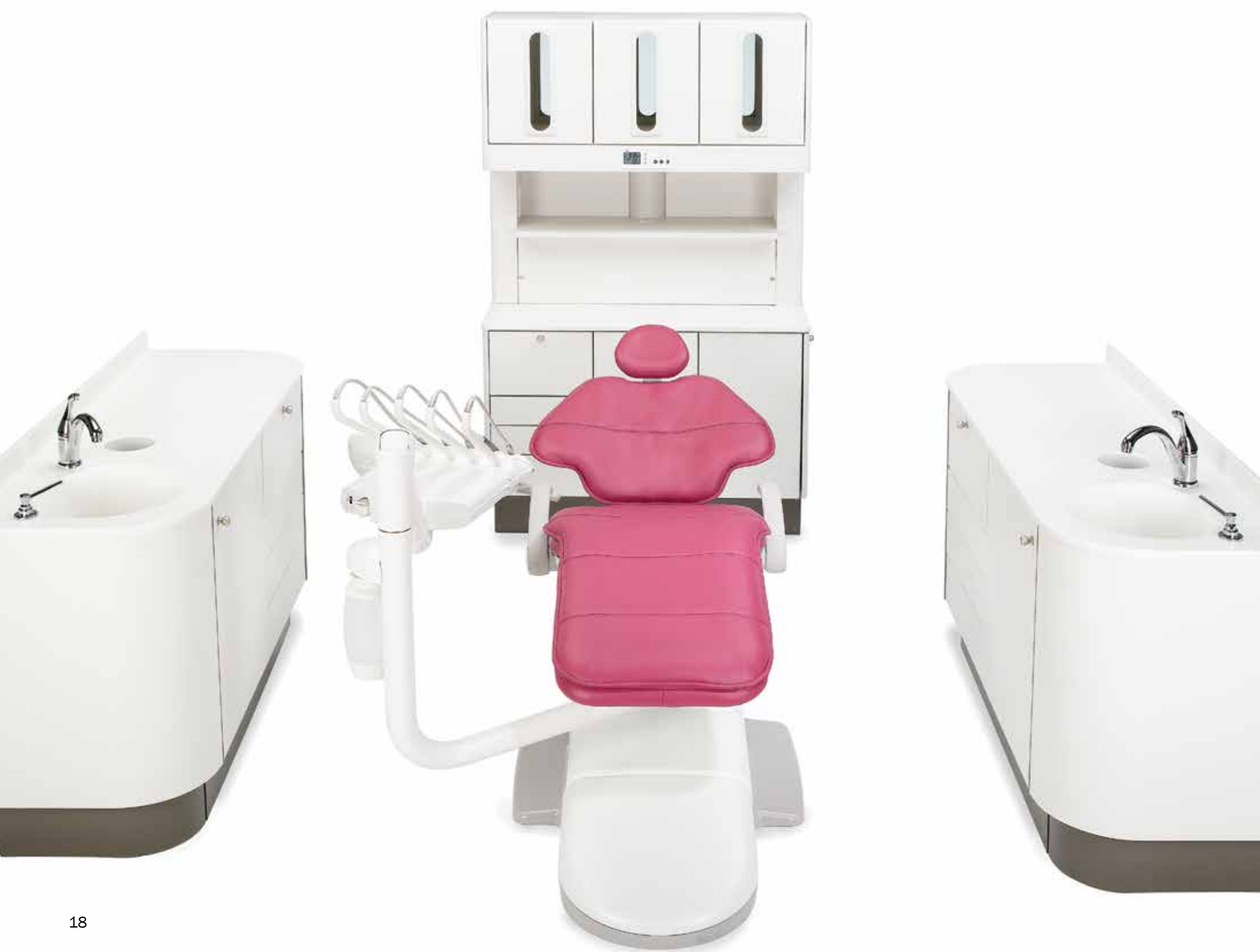
Featured Equipment

- A-dec 511 Chair
- A-dec 532 Traditional Delivery System with A-dec 500 Deluxe Touchpad
- A-dec 545 3-Position Assistant's Instrumentation
- A-dec 561 Support Center Cuspidor and Monitor Mount
- A-dec 574L Cabinet Mount LED Dental Light
- Preference Collection 5580.42 treatment Console with Solid Surface Countertop, Track-Mounted Monitor
- Preference Collection 5543.49 Tall Central with ICV Vacuum Line Cleaning System and Bifold Doors with X-Ray Storage

Configuration Benefits

- The premium A-dec 500 chair gives you exceptional range of motion plus low "down" position for improved access, visibility and posture
- The A-dec 500 12 o'clock assistant's instrumentation includes four pivot points and a height-adjustable worksurface for efficiency and excellent ergonomics
- Maximize space, yet maintain privacy with the Preference Collection tall central





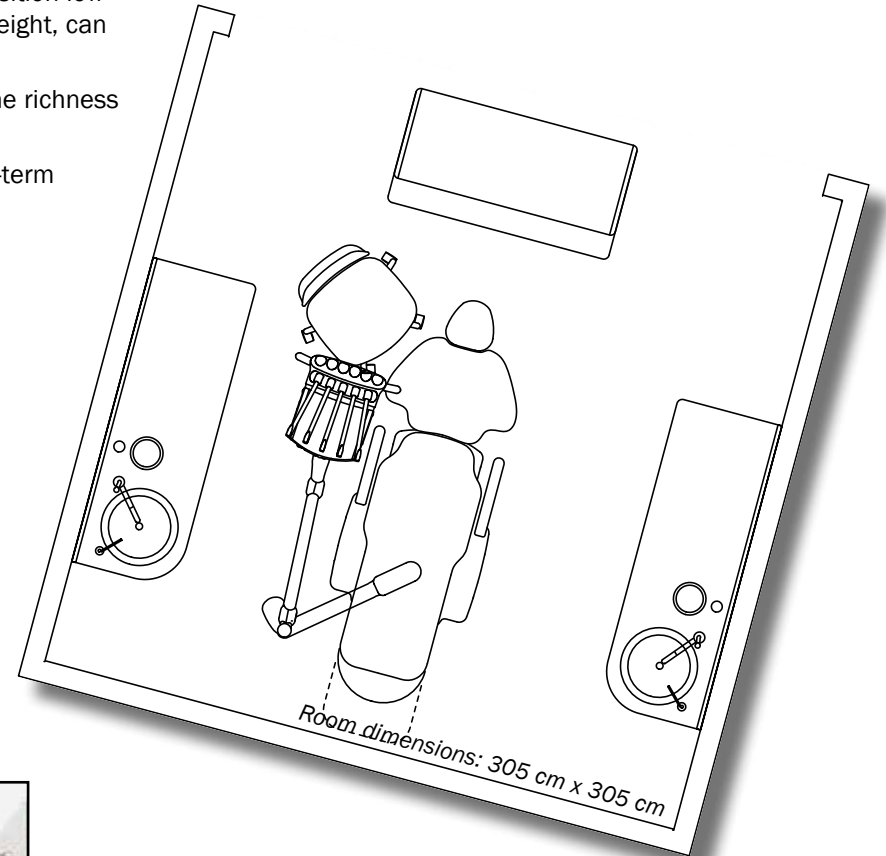
Solution Four

Featured Equipment

- A-dec 511 Chair
- A-dec 533 Continental Delivery System
- Preference Collection 5580.42 Treatment Console with Solid Surface Countertop
- Preference Collection 5531.58 (2) Accessory Consoles

Configuration Benefits

- The A-dec 500 chair is designed to position low enough so any doctor, regardless of height, can work in complete comfort
- Supple sewn upholstery to enhance the richness to the operator
- Left/right compatibility to ensure long-term adaptability





Solution Five

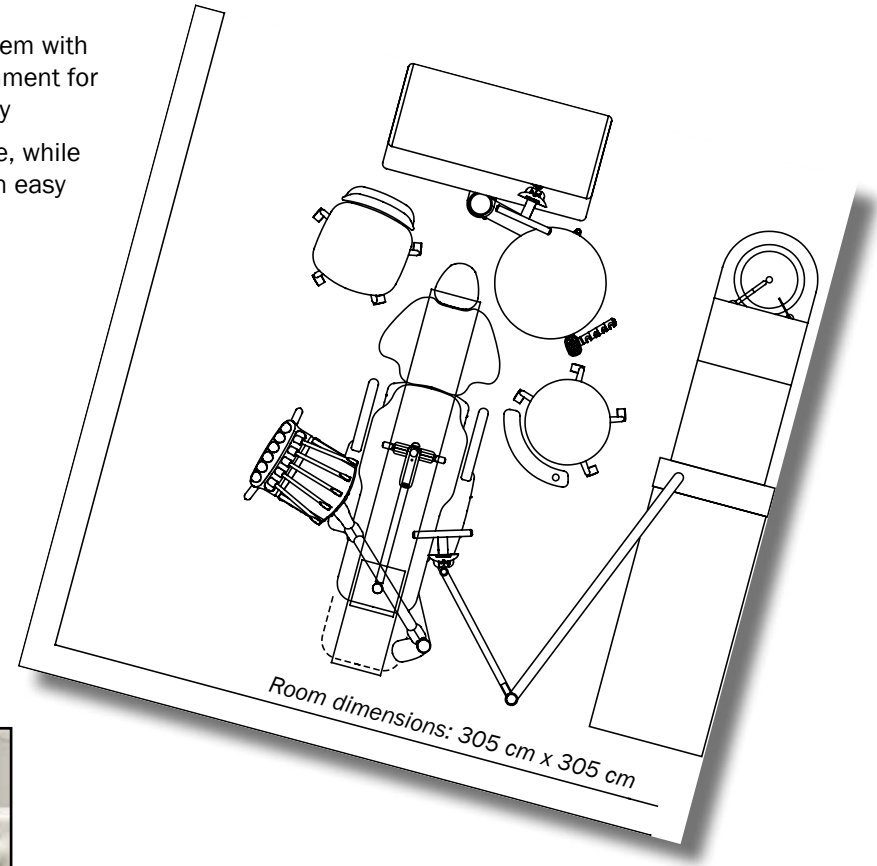
Featured Equipment

- A-dec 511 Chair
- A-dec 533 Continental Delivery System with A-dec 500 Deluxe Touchpad
- A-dec 545 4-Position Assistant's Instrumentation with Round Worksurface and Satelec Mini LED Curing Light
- A-dec 577L Track Mount LED Dental Light
- A-dec 584 Cabinet Monitor Mount Floating
- A-dec Doctor's Stool with Ergonomic Tilt
- Preference Collection 5580.42 Treatment Console with Solid Surface Countertop, Track-Mounted Monitor
- Preference Collection 5543.49 Tall Central with ICV Vacuum Line Cleaning System and Bifold Doors with X-Ray Storage



Configuration Benefits

- Premium comfort and ergonomics with an advanced technology platform ensures versatile integration for whatever the need
- The A-dec 500 Continental delivery system with the deluxe touchpad creates an environment for outstanding control, ease, and efficiency
- Get the most out of precious floor space, while keeping everything organized and within easy reach





Solution Six

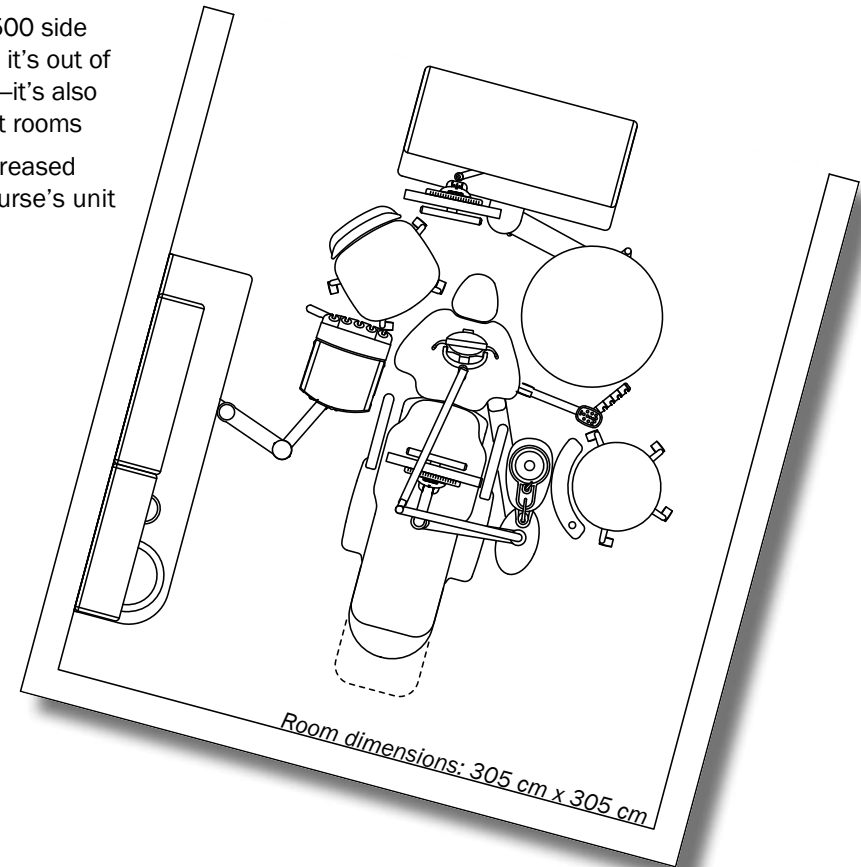
Featured Equipment

- A-dec 511 Chair with Sewn Upholstery
- A-dec 542 Side Delivery System
- A-dec 545 Nurse's Unit
- A-dec 561 Support Center, Cuspidor
- Ceiling-Mount Monitor Mount
- A-dec 571 Dental Light
- A-dec Doctor's Stool with Ergonomic Tilt
- A-dec Assistant's Stool
- Preference Collection 5580.42 Treatment Console with Solid Surface Countertop
- Preference Collection 5531.72 Accessory Console
- Preference Collection 5731.34 Upper Storage Unit
- Preference Collection 5730.29 Dispensing Unit



Configuration Benefits

- For the ultimate in patient comfort, the A-dec 500 chair with sewn upholstery reduces pressure points and provides support across the patient's entire body
- Put your patients at ease with the A-dec 500 side delivery system that easily tucks away, so it's out of direct view when patients enter the room—it's also an excellent solution for narrow treatment rooms
- Customise instrument positioning for increased efficiency with the A-dec 500 long-arm nurse's unit





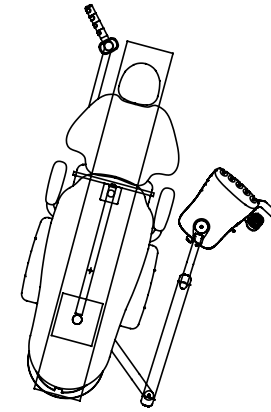
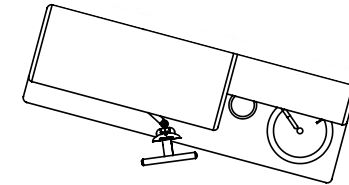
Solution Seven

Featured Equipment

- A-dec 411 Chair
- A-dec 332 Radius-Style Traditional Delivery System and A-dec 300 deluxe Touchpad
- A-dec 551 4-Position Assistant's Instrumentation with Satelec Mini LED Curing Light
- A-dec 577L LED Track-Mount Dental Light
- Preference Collection 5580.69 Treatment Console with Solid Surface Countertop and Monitor Mount

Configuration Benefits

- The contemporary design in a robust package, with comfort you'd expect from higher-priced equipment
- A-dec 300 Radius-style delivery and support modules rotate quickly and easily around the chair for complete left/right compatibility
- Treatment console and monitor mount creates an exceptional solution for patient recordkeeping



Room dimensions: 305 cm x 305 cm



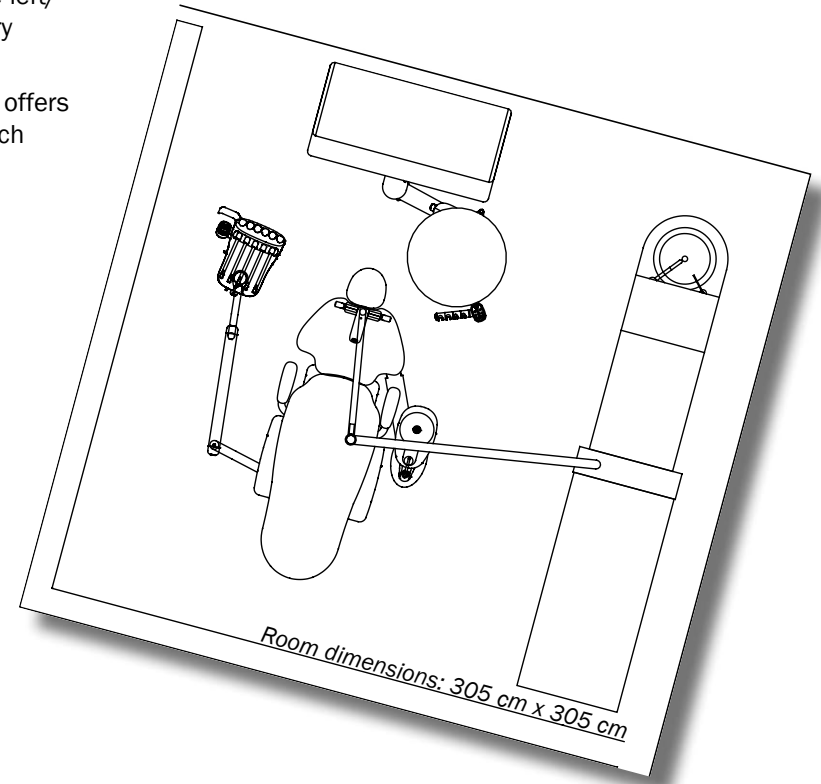
Solution Eight

Featured Equipment

- A-dec 411 Chair with Seamless Upholstery
- A-dec 333 Continental Delivery System and A-dec 300 Deluxe Touchpad
- A-dec 551 4-Position Assistant's Instrumentation with Satelec Mini LED Curing Light
- A-dec 461 Support Center with Cuspidor
- A-dec 574L Cabinet Mount LED Dental Light
- Preference Collection 5580.42 Treatment Console with Solid Surface Countertop, Track-Mounted Monitor
- Preference Collection 5543.49 Tall Central with ICV Vacuum Line Cleaning System and Bifold Doors with X-Ray Storage

Configuration Benefits

- The robust and stylish A-dec 400 chair assures patient comfort and doctor access
- The Radius-style delivery gives you genuine left/right versatility and a wide range of ancillary possibilities
- Chair-mounted assistant's instrumentation offers four adjustable pivot points for optimal reach





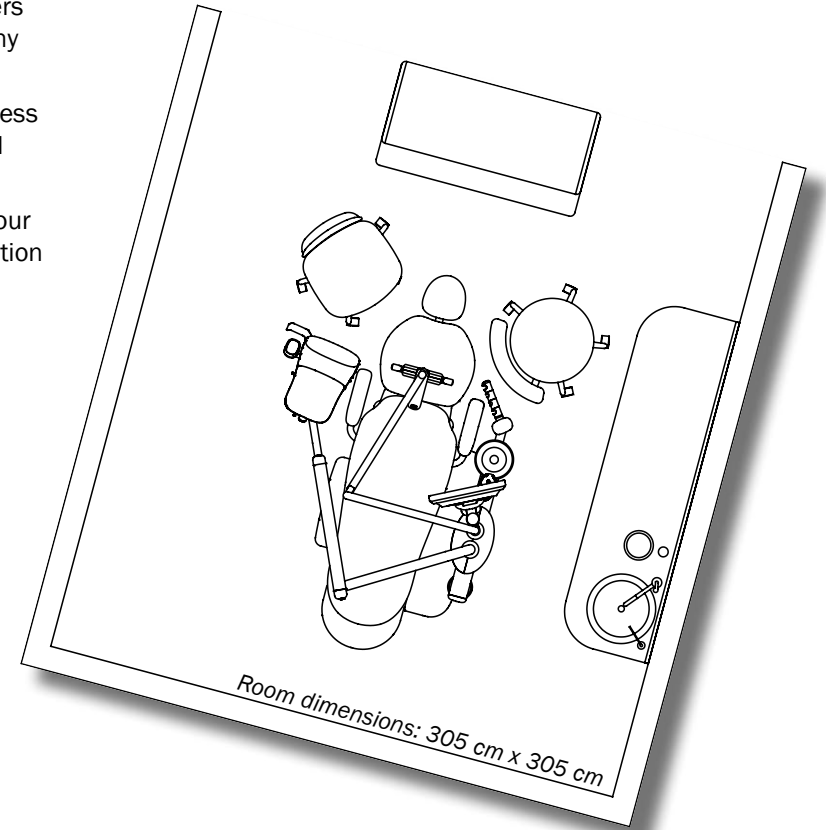
Solution Nine

Featured Equipment

- 5580.42 12 O'Clock Cabinet
- 5531.72 Side Cabinet
- 311 Dental Chair with Lever Foot Control
- 363 Pedestal Mount Support Center with Cuspidor
- 571L Support Center Mounted LED Light
- 381 Monitor Mount on Light Post
- 335 Delivery System
- 353 Assistant's Instrumentation

Configuration Benefits

- The sleek design of the A-dec 300 chair offers the perfect blend of style and function for any budget
- The compact delivery system with full seamless integration makes ancillaries accessible and maneuverable
- The two monitor mount locations cover all your needs—from patient consultation and education to practice management





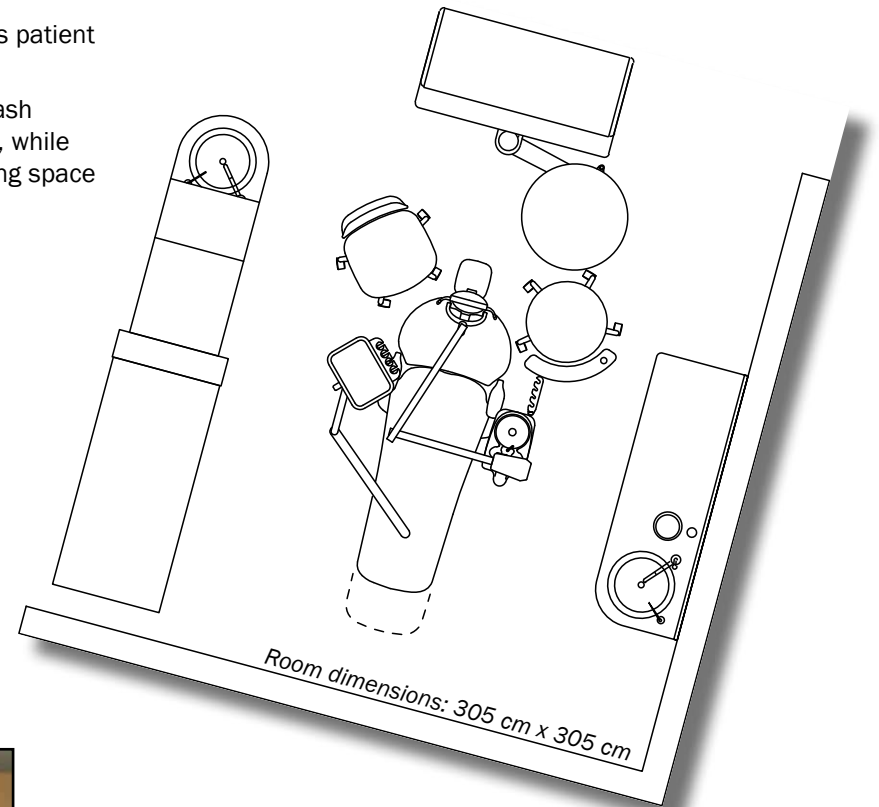
Solution Ten

Featured Equipment

- Performer Chair
- Performer Traditional Delivery System
- Performer Cuspidor with Nurse's Unit
- 6300 Post-Mount Light
- A-dec Doctor's Stool with Ergonomic Tilt
- A-dec Assistant's Stool
- Preference Collection 5580.42 Treatment Console with Solid Surface Countertop
- Preference Collection 5543 Central Console

Configuration Benefits

- Light, cuspidor and delivery are configured for optimal two-handed dentistry
- The Performer chair never compromises patient comfort
- Tall central cabinetry with round-end wash station and x-ray storage creates a wall, while accommodating supplies and maximising space



Explore the Possibilities

Make your next treatment room your own. We invite you to see how your personal colour preferences would appear on your choice of cabinets, countertops, chair upholstery, and more. Go to a-dec.com/InspireMe to explore the full spectrum of possibilities.

We want to hear from you. To find an A-dec dealer near you, call us at 1.800.547.1883 or visit a-dec.com.



A-dec Headquarters

2601 Crestview Drive
Newberg, Oregon 97132 USA
Tel: 1.800.547.1883 within USA/CAN
Tel: 1.503.538.7478 outside USA/CAN
Fax: 1.503.538.0276
a-dec.com

A-dec Australia

Tel: 1.800.225.010 within AUS
Tel: +61.(0)2.8332.4000 outside AUS

A-dec China

Tel: +1.503.538.7478

A-dec United Kingdom

Tel: 0800.ADEC.UK (2332.85) within UK
Tel: +44.(0).24.7635.0901 outside UK



A-dec, the A-dec logo, A-dec 500, A-dec 300, Cascade, Cascade Master Series, Century Plus, Continental, Decade, ICX, ICV, Performer, Preference, Preference Collection, Preference ICC, and Radius are trademarks of A-dec Inc. and are registered in the United States and other countries. A-dec 400, A-dec 200, Preference Slimline, and reliablecreativesolutions are also trademarks of A-dec Inc. None of the trademarks or trade names in this document may be reproduced, copied, or manipulated in any manner without the express, written approval of the trademark owner.

Certain touchpad symbols are proprietary to A-dec Inc. Any use of these symbols, in whole or in part, without the express written consent of A-dec Inc., is strictly prohibited.

The colors and products shown may vary from the actual materials and are subject to change without notice. Please see your authorized A-dec dealer for accurate color samples and the most current product information.

©2015 A-dec Inc. All rights reserved.
85.6043.25/OP/800/5-15/Rev A