

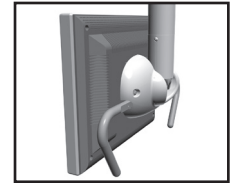
# A-dec Monitor Mounts



A-dec monitor mounts use one of the following positioning mechanisms:

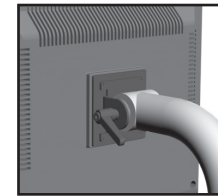
### Floating

These mounts provide continuous tension which holds the monitor in place after it is positioned.



### Locking

These mounts include a handle that allows you to manually lock the tilt position of the monitor.



A-dec monitor mounts are VESA (Video Electronics Standards Association) compliant, so they support most monitor brands and sizes.

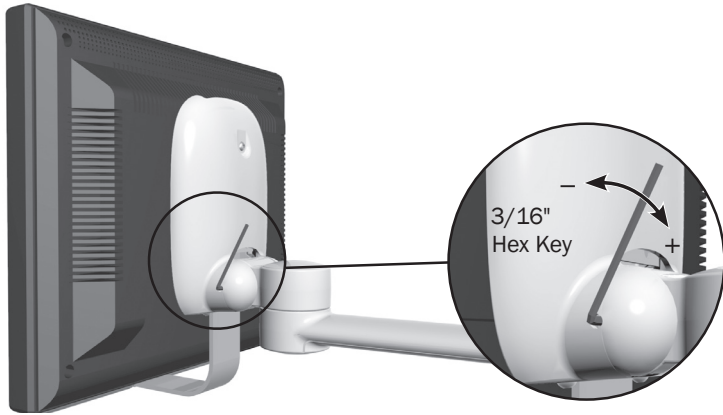


**NOTE** A-dec monitor mounts are intended to support and position a medical grade or equivalent flat-panel monitor. For monitor requirements, please see the table on page 3.

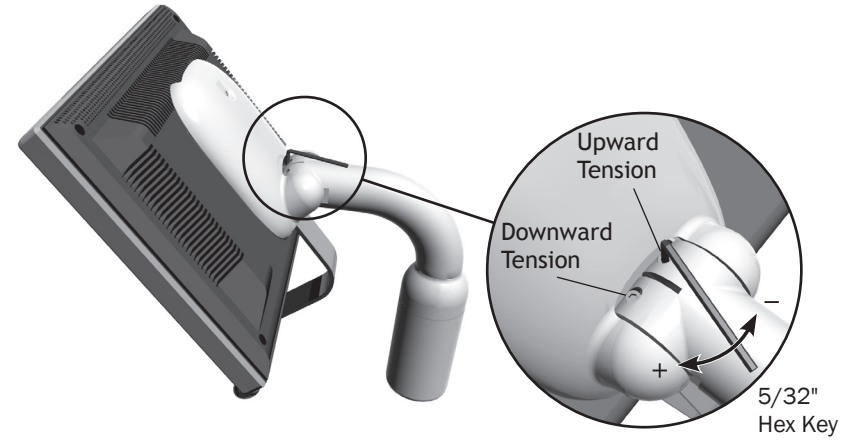
## Monitor Mount Adjustments and Specifications

For adjustment information and monitor specifications for your mount, see the images below and the table on page 3.

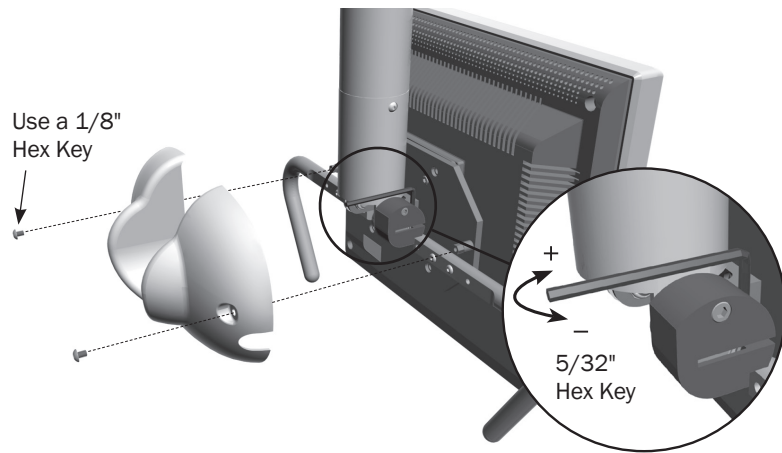
### Style 1, Floating



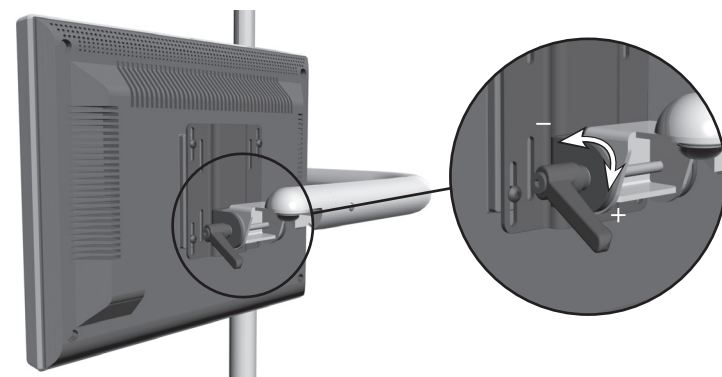
### Style 2, Floating



### Style 3, Floating



### Style 4, Locking



Vertical Tension Adjustment	Hex Key Size	Adjustment Style	Available On	Maximum Monitor Weight	Maximum Monitor Size
<p><b>Style 1, Floating</b> Turn the hex key clockwise to increase or counterclockwise to decrease the tension.</p>	3/16"	Floating / Single-Tension	chairs, support centers	20 lb (9 kg)	19" (483 mm) diagonal
<p><b>Style 2, Floating</b> Turn the hex key clockwise to increase or counterclockwise to decrease the tension. This adjustment may be necessary for both the upward and downward tension.</p>	5/32"	Floating / Dual-Tension	chairs, support centers, cabinet track-mount	31 lb (14 kg)	19" (483 mm) diagonal
<p><b>Style 3, Floating</b> Use a 1/8" hex key to remove the back cover screws. Use a 5/32" hex key to increase or decrease the mount's vertical tension.  <i>(Note: The handles may be repositioned after the cover is removed. Use a 1/8" hex key to remove and replace the handle screws.)</i></p>	1/8" 5/32"	Floating / Single-Tension	ceilings, cabinets, walls	31 lb (14 kg)	19" (483 mm) diagonal
<p><b>Style 4, Locking</b> Turn the handle clockwise to lock the monitor position.</p>	N/A	Locking / Handle	chairs, support centers	31 lb (14 kg)	19" (483 mm) diagonal

## Specifications & Warranty



**IMPORTANT** For electrical specifications, identification of symbols, and other regulatory requirements, see the *Regulatory Information, Specifications, and Warranty* document (p/n 86.0221.00), which is available in the Document Library at [www.a-dec.com](http://www.a-dec.com).



**NOTE** Specifications are subject to change without notice. Requirements may vary depending on your location. For more information, contact your authorized A-dec dealer.

Warranty information is provided in the *Regulatory Information, Specifications, and Warranty* document (p/n 86.0221.00), which is available in the Document Library at [www.a-dec.com](http://www.a-dec.com).



### A-dec Headquarters

2601 Crestview Drive  
Newberg, Oregon 97132  
United States  
Tel: 1.800.547.1883 within USA/CAN  
Tel: +1.503.538.7478 outside USA/CAN  
Fax: 1.503.538.0276  
[www.a-dec.com](http://www.a-dec.com)

### A-dec Australia

Unit 8  
5-9 Ricketty Street  
Mascot, NSW 2020  
Australia  
Tel: 1.800.225.010 within AUS  
Tel: +61.(0).2.8332.4000 outside AUS

### A-dec China

A-dec (Hangzhou) Dental Equipment Co., Ltd.  
528 Shunfeng Road  
Qianjiang Economic Development Zone  
Hangzhou 311106  
Zhejiang, China  
Tel: +1.503.538.7478

### A-dec United Kingdom

*EU Authorized Representative*  
Austin House, 11 Liberty Way  
Nuneaton, Warwickshire CV11 6RZ  
England  
Tel: 0800.ADEC.UK (2332.85) within UK  
Tel: +44.(0).24.7635.0901 outside UK

## Product Models and Versions Covered in This Document

Models	Versions	Description
300, 381, 382, 482, 581, 584, 585, 586, 587, Performer 8000	A	Monitor Mount



86.0309.00 Rev E  
Copyright 2016 A-dec Inc.  
All rights reserved.